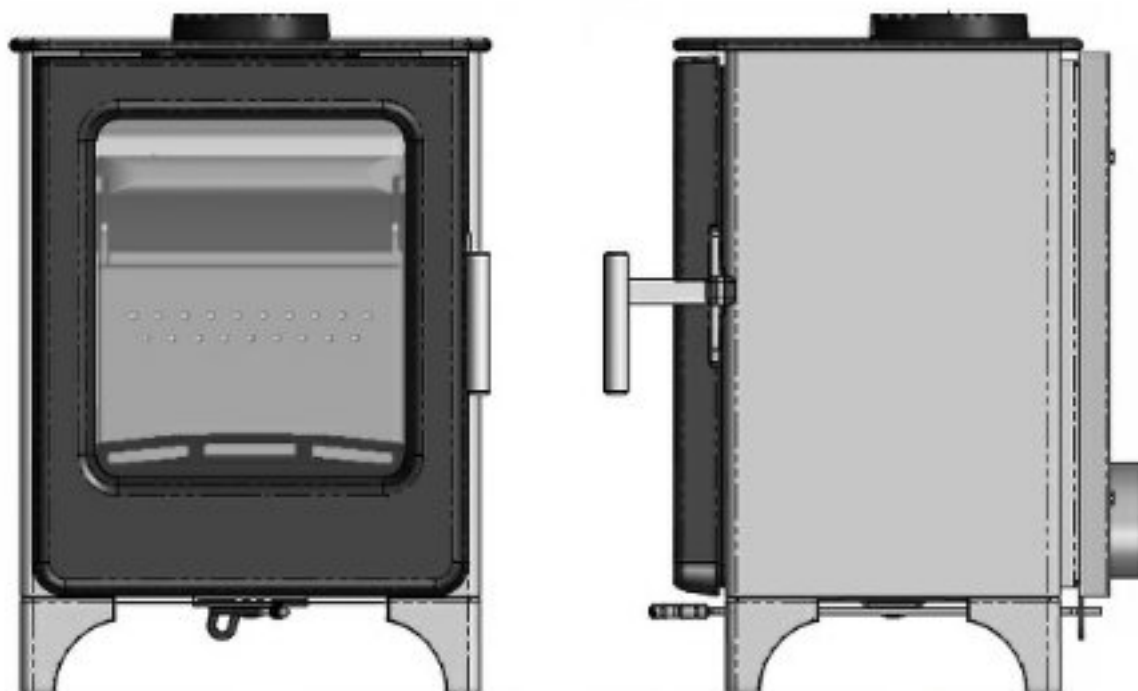


OPERATION AND INSTALLATION MANUAL

Wood-burning & Smoke Exempt Optional Models

Guide d'utilisation et Mode d'Emploi



ASHCOTT (SE) mk2

M00560-00-00-00-00
(M00561-00-00-00-00)

ASHCOTT PEDESTAL (SE) mk2

M00562-00-00-00-00
(M00564-00-00-00-00)

ASHCOTT LOGSTORE (SE)mk2

M00563-00-00-00-00
(M00565-00-00-00-00)

Contents



PAGE	ITEM	
2 -12	Installation Instructions	ENG
13 - 19	How to? Exploded parts diagrams	ENG
	<i>Pièces détachées, vue éclatées, assemblage</i>	FRA
20 - 29	Guide d'utilisation et Mode d'Emploi	FRA
30 - 31	Certificate - EN Test	

This appliance is guaranteed for 12 months subject to conditions. The extended warranty will only be valid if the annual service plus flue sweeping has been carried out and noted on the warranty card and the appliance has been registered with Mendip stoves .

Register online today to activate warranty: online. <http://www.mendipstoves.co.uk/SIT/StoveRegistration>

INSTALLATION MANUAL AND OPERATING INSTRUCTIONS

ASHCOTT

ASHCOTT PEDESTAL

ASHCOTT LOGSTORE

This manual refers to the stoves listed above, which are tested in accordance with EN 13240.

Thank you for purchasing your new stove from Mendip Stoves. Please read this manual carefully to ensure that you get maximum enjoyment and performance from your new stove and to prevent any potential operational problems. Please note that "all local regulations, including those referring to national and European Standards, need to be complied with when installing this appliance". For further information on installing and using fireplaces and wood burning stoves, please see the relevant building regulations.

These instructions cover the basic principals to ensure the satisfactory installation of your WOOD stove, although detail may need slight modification to suit particular local site conditions.

MODEL NAME	Height (mm)	Width (mm)	Depth (mm)	Weight
ASHCOTT	575	424	370	70 KG
ASHCOTT PEDESTAL	750	424	370	92 KG
ASHCOTT LOGSTORE	800	424	370	92 KG

IMPORTANT

These instructions cover the basic principles to ensure the satisfactory installation of the Mendip Stoves ASHCOTT, although detail may need slight modification to suit particular local site conditions.

In all cases the installation must comply with current Building Regulations, Local Authority Byelaws and other specifications or regulations as they affect the installation of the stove. It should be noted that the Building Regulations requirements may be met by adopting the relevant recommendations given in British Standards BS 8303 Code of Practice for installation of domestic heating and cooking appliances burning solid mineral fuel, BS EN 15287-1:2007 design, installation and commissioning of chimneys as an alternative means to achieve an equivalent level of performance to that obtained following the guidance given in Approved Document J.

HEALTH AND SAFETY PRECAUTIONS

INFORMATION FOR THE USER, INSTALLER AND SERVICE ENGINEER

Special care must be taken when installing a stove such that the requirements of the Health & Safety at Work Act are met.

Handling

Adequate facilities must be available for loading, unloading and site handling.

Fire Cement

Some types of fire cement are caustic and should not be allowed to come into contact with the skin. In case of contact wash immediately with plenty of water.

PREPARATORY WORK AND SAFETY CHECKS

IMPORTANT WARNING

This stove must not be installed into a chimney that serves any other heating appliance. There must not be an extractor fan fitted in the same room as the stove because this can cause the stove to emit fumes into the room.

Asbestos

This stove contains no asbestos. If there is a possibility of disturbing any asbestos in the course of installation then please seek specialist guidance and use appropriate protective equipment.

Metal Parts

When installing or servicing this stove care should be taken to avoid the possibility of personal injury.

CO Alarms:-

Building regulations require that whenever a new or replacement fixed solid fuel or wood/biomass appliance is installed in a dwelling a carbon monoxide alarm must be fitted in the same room as the appliance. Further guidance on the installation of the carbon monoxide alarm is available in BS EN 50292:2002 and from the alarm manufacturer's instructions.

Provision of an alarm must not be considered a substitute for either installing the appliance correctly or ensuring regular servicing and maintenance of the appliance and chimney system.

Stove paint Aerosols

Paint aerosols are flammable and therefore dangerous to use around a lit stove. Be sure to allow aerosols spray paints to dry and ventilate the room well before lighting the stove. The use of any aerosol around a lit stove is dangerous and care must be taken in handling aerosols.

FLUE & CHIMNEY CONNECTION TO STOVE

The outlet from the chimney should be above the roof of the building in accordance with the provisions of Building Regulations Approved Document J. If installation is into an existing chimney then it must be sound and have no cracks or other faults which might allow fumes into the house. Older properties, especially, may have chimney faults or the cross section may be too large. Mendip Stoves recommend the use of a solid fuel flue lining system for all installation into existing chimneys. All chimney systems must be used in accordance with Building Regulations Approved Document J.

If an existing chimney is used the chimney must be clear of obstruction and be swept clean immediately before installation of the stove. The chimney should be tested to confirm it will provide the correct chimney pressure for the stove. If the stove is fitted in place of an open fire the chimney should be swept one month after installation to clear any soot falls which may have occurred due to the difference in combustion between the stove and the open fire. If there is no existing chimney then either a prefabricated block chimney in accordance with Building Regulations Approved Document J or a twin walled insulated stainless steel flue to BS 1856-1. These chimneys must be fitted in accordance with the manufacturer's instructions and Building Regulations. A single wall metal flue pipe is suitable for connecting the stove to the chimney but is not suitable for using for the complete chimney. The connecting flue pipe must have a minimum diameter of 125 mm and its dimension should be not less than the size of the outlet socket of the stove. Registered smoke exempt models burning wood only can be installed on flue of 125mm throughout. Any bend in the chimney or connecting flue pipe should not exceed 45°. 90 degree bends should not be used other than within 150 mm of the stove rear flue outlet.

Chimney Connection

In order for the stove to perform satisfactorily the chimney height must be sufficient to ensure an adequate draught to clear the products of combustion and prevent smoke problems into the room.

Tested Gas flow rates flue gas temperatures	Flue gas flow rate Wood	Test flue gas temperature Wood	@ Pascals of pressure
ASHCOTT	4.6/sec	232deg C	12 pa

A chimney height of not less than 4.5 metres measured vertically from the outlet of the stove to the top of the chimney should be satisfactory. Alternatively the calculation procedure given in BS5854:1980 may be used as the basis for deciding whether a particular chimney design will provide sufficient draught.

If it is found that there is excessive draught in the chimney then either an adjustable flue damper or alternately a draught stabiliser should be fitted. The adjustable flue damper should not close off the flue entirely but should in its closed position leave a minimum continuous opening free area of at least 20 % of the total cross sectional area of the flue or flue pipe. Adequate provision (e.g. easily accessible soot door or doors) must be provided for sweeping the chimney and connecting flue pipe.

Your appliance needs to be maintained routinely and the throat plate/baffle should be cleaned regularly (monthly). The flue pipe can be cleaned using a flexible brush. Only use a dry cloth on external surfaces. Over time the glass may become dirty and it can be cleaned with a damp cloth and polished off with a dry cloth. If the stove has not been used for some time the flue should be checked for blockages before use. Do not modify the appliance. Only use spares authorised by the manufacturer should be fitted/installed.

STOVE PERFORMANCE & TESTING

Mendip Stoves, ASHCOTT model is tested in accordance with EN 13240.

	Output wood fuel	Efficiency	@ CO@13% O ₂	Recommended for smoke control Oct 2017
ASHCOTT	5.0 kW	80.3%	0.09	Yes / SE model

	Energy Rating Class	SIA ECO Design 2022 Certified	Index	Seasonal efficiency
ASHCOTT	A+	YES	107	70.3%

Stove model Weight & Nominal heat output for wood and smokeless fuels

	Log length	Wood reload	Weight wood load	Wood dimensions H x W x L cm
ASHCOTT	30cm	~45min	1.0kg	10 x 10 x 30

Distance to Combustible materials

Combustible materials should not be located where the heat dissipating through the walls of fireplaces or flues could ignite it. Therefore when installing the stove in the presence of combustible materials due account must be taken of the guidance on the separation of combustible material given in Building Regulations Approved Document J and also in these stove instructions. The minimum distances to flammable materials are specified on the EN 13240 plate on the back of the stove.

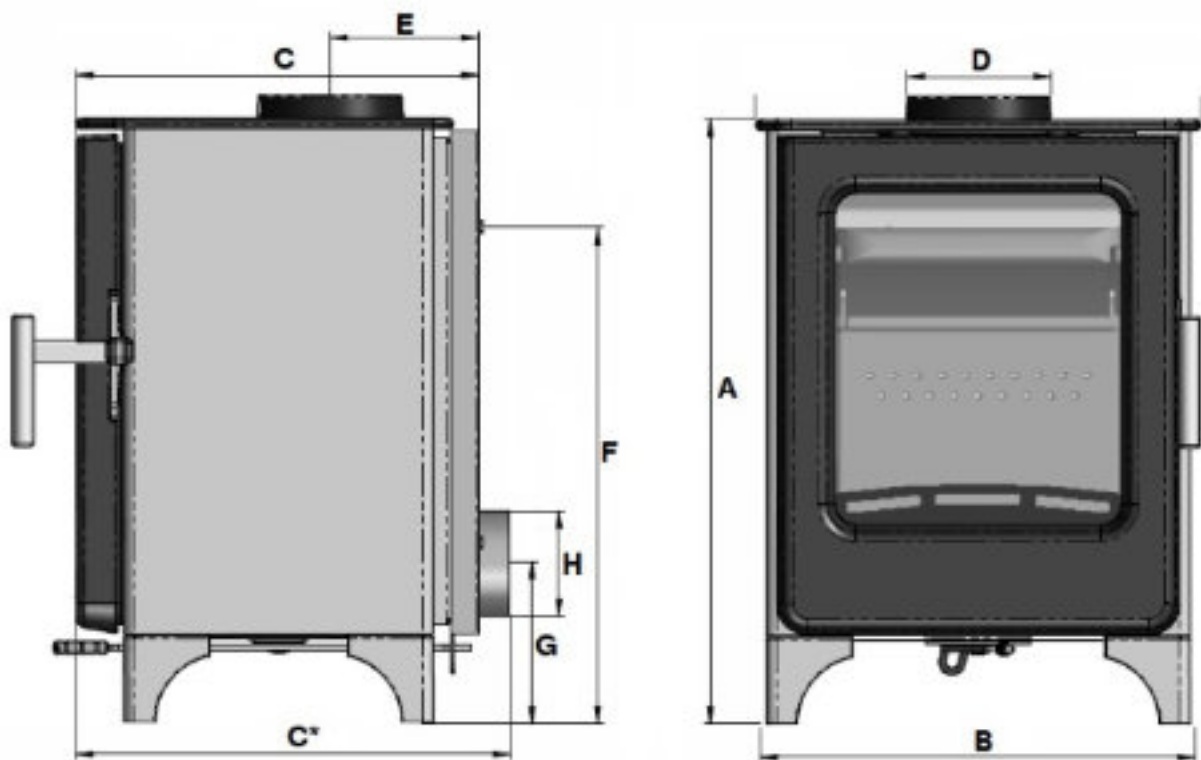
	Distance to combustibles rear	Distance to combustibles sides	Distance to combustibles sides Convection models	Suitable for 12mm non-combustible floor plate
ASHCOTT	150mm	400mm	n/a	YES

MINIMUM DISTANCE TO NON-COMBUSTIBLE MATERIALS

The stove can be recessed in a suitable sized non - combustible fireplace but a permanent free air gap of at least 50mm must be left around the sides and top and at least 50mm at the back of the stove. This is to facilitate reasonable heat output and for access to the stove for removal and maintenance. **A clearance of 100mm will give a better heat output.**

All non - combustible walls closer than 100mm to the stove should be at least 75mm thick. For practical reasons the back wall of the fireplace recess and the hearth should ideally be made of a non-combustible material. When installing a your stove in a non combustible chamber combustible materials should not be located where the heat dissipating through the walls of fireplaces or flues could ignite it. Therefore when installing the stove in the presence of combustible materials due account must be taken of the guidance on the separation of combustible material given in Building Regulations Approved Document J and also in these stove instructions. We recommend the use of calcium silicate board with a protection value of A1 in a fireplace recess or behind a stove fitted in a corner. The minimum distances to flammable materials are specified on the EN 13240 plate on the back of the stove

STOVE DIMENSIONS AND CONNECTION MEASUREMENTS



	Height	Width	Depth	Depth inc. Direct Air Intake	Collar Size	Distance from			Air Intake Diameter
						Rear to Centre Flue Collar	Floor to Rear Flue Exit	Floor to Air Intake Stove	
	A	B	C	C*	D	E	F	G	H
ASHCOTT	575mm	424mm	370mm	412mm	125mm	128mm	460mm	151mm	100mm
ASHCOTT PEDESTAL	750mm	424mm	370mm	412mm	125mm	128mm	635mm	326mm	100mm
ASHCOTT LOGSTORE	800mm	424mm	370mm	412mm	125mm	128mm	685mm	376mm	100mm

HEARTH

The hearth should be able to accommodate the weight of the stove and its chimney if the chimney is not independently supported. The Ashcott stove has been tested and is suitable to be installed on a 12 mm non combustible plate such as 12 mm glass plates. Installation of all hearths should comply in size and construction so that they are in accordance with the provisions of the current Building Regulations Approved Document J.

The clearance distances to combustible material beneath, surrounding or on the hearth and walls adjacent to the hearth should comply with the guidance on the separation of combustible material given in Building Regulations Approved Document J and also in these stove instructions.

If the stove is to be installed on a wooden floor, it must be covered with a non-combustible material at least 12 mm thick, in accordance with Building Regulations Approved Document J, to a distance of 30 cm in front of the stove and 15 cm to each side measuring from the door of the combustion chamber.

COMBUSTION AIR

In order for the stove to perform efficiently and safely there should be an adequate air supply into the room in which the stove is installed to provide combustion air. This is particularly necessary if the room is double-glazed or a flue draught stabiliser is operating in the same room as the appliance. The provision of air supply to the stove must be in accordance with current Building Regulations Approved Document J. An opening window is not appropriate for this purpose. Air inlets must be positioned in such a way that they cannot be blocked. An air inlet may be a vent (the vent must be open and the capacity for the vent sufficient when the stove is lit).

The Ashcott models take all combustion from a single 100mm port on the back of the stove. With the door closed the air port supplies all combustion air for the appliance. This can be connected to the outside via a 100mm pipe so the appliance does not draw air from the room. However, the Ashcott must have an independent air vent as laid out in Building Regulations Approved Document J for when the stove is being lit and reloaded as combustion air is taken from the room.

COMBUSTION CHAMBERS

Mendip Stoves are fitted internally with a formed vermiculite combustion chamber, the panels that form the chamber are designed to ensure the maximum efficiency of the stove and are an integral part of the clean burn process. The vermiculite parts should not be removed other than for cleaning the stove. Any defective panels should be replaced although small hairline cracks do not need replacement. However, hairline cracks can develop during long term use to larger cracks. If this passes through the vermiculite to the stove body then the panel must be replaced. When refuelling your stove, place the wood fuel into the chamber (wearing a glove). Impact from logs can cause the heat deflection panels to crack.

Connection to chimney

Mendip Stoves are built with a top flue outlet as standard. This can be altered to a rear connection by removing the top collar, rear cover plate then exchanging collar and plate. Care should be taken to ensure an airtight fit when refitting collar and plate. A decorative cover plate is included in each stove to cover the hole in the convection top plate. This collar allows connection to either a masonry chimney or a prefabricated factory made insulated metal chimney.

COMMISSIONING AND HANDOVER

Ensure all loose parts (bricks and grates) are fitted in accordance with the instructions given in the instruction booklet. On completion of the installation allow a suitable period of time for any fire cement and mortar to dry out, a small fire may be lit to check that smoke and fumes are taken from the stove up the chimney and emitted safely into the atmosphere. Do not run at full output for at least 24 hours.

On completion of the installation and commissioning ensure that the operating instructions for the stove are left with the customer. Ensure to advise the customer on the correct use of the appliance with the fuels likely to be used in the stove and notify them to use only the recommended fuels for the stove. Advise the user what to do should smoke or fumes be emitted from the stove.

Fireguards: The customer should be warned the use a fireguard to BS 8423:2002 in the presence of children, aged and/or infirm persons is essential for their safety, even when the stove is not in use. The glass on the stove is ceramic glass and able to withstand very high temperatures however it is not toughened and a hard impact could cause the glass to break.

OPERATING YOUR STOVE - SUITABLE FUELS - ASHCOTT

Your stove is tested and designed to burn wood. However, wood briquettes can also be burnt but special account should be taken of fuel weight. Good quality wood is the most important factor in your stove working efficiently and cleanly. Always use dry split hardwood firewood (moisture content of 20% or less). The dryness of the firewood plays an important role since the use of wet wood results in poor fuel economy and may cause a tarry sooty film on the internals of the stove. Do not overload the stove as this can cause excessive heat and damage the stove (see table on page 4).

ALWAYS KEEP FUEL LOAD BELOW THE TERTIARY PORTS AT THE REAR OF THE STOVE.

Only use fuels approved for use on heating stoves. Do not burn liquid fuels, drift wood, finished wood, sawn wood, pallet wood, chipboard/plywood, varnished wood or plastic coated wood, wood treated with preservatives, or any household waste.

DO NOT EXCEED SPECIFIED FUEL WEIGHTS. DO NOT BURN HOUSE COAL. DO NOT BURN HOUSEHOLD WASTE, THIS APPLIANCE IS NOT AN INCINERATOR.

LIGHTING YOUR STOVE FOR THE FIRST TIME

Before lighting your stove for first time make sure you have read this manual fully and acquainted yourself with the controls of this appliance. (see page 9)

The heat-resistant paint on your stove will cure and harden the first time you light your appliance. The curing process produces a good deal of smoke and odour. It is therefore important that the first time you light your stove the room should be well ventilated. During the curing process **it is important to open and close the stove door periodically** (every 30mins) during the first couple of firings to preventing the door seal from sticking and coming away from the door. Once the heat-resistant paint has hardened the smell will disappear.

Your stove is NOT designed to be used with the door open. The stove door must be kept closed except when lighting the stove, adding firewood or removing ash in order to prevent flue gases from escaping.

Use of fire lighters

Quality firelighters should be used when lighting your stove. **Never use mentholated spirit, petrol or other flammable liquids.** Lighting your stove with firelighters will be more reliable and easier than using paper. Lighting your fire with paper results in excess smoke, more ash and possible blackening of the glass.

OPERATING YOUR STOVE - AIR CONTROL

The air control for the Ashcott model is a single control lever. The Lever operates by moving from left to right .

Lever in left position - secondary air fully open

Lever in right position - secondary air closed



OPERATING YOUR STOVE - AIR CONTROL

Note: If the chimney is externally fitted or the stove has been installed on a larger diameter clay chimney liner, then on cold days it may be necessary to warm the flue using firelighters prior to lighting with wood.

1. Place two small dry split logs ($\frac{1}{4}$ split) on the fire bed. Kindling stacked as in the picture allows combustion air to flow freely and will aid ignition. On top of the kindling place two or more non toxic firelighters. (fig 1) .



(Fig. 1)

2. Fully slide open (fully to left) the air control air slider below the stove door. The stove now has full secondary air for start up.

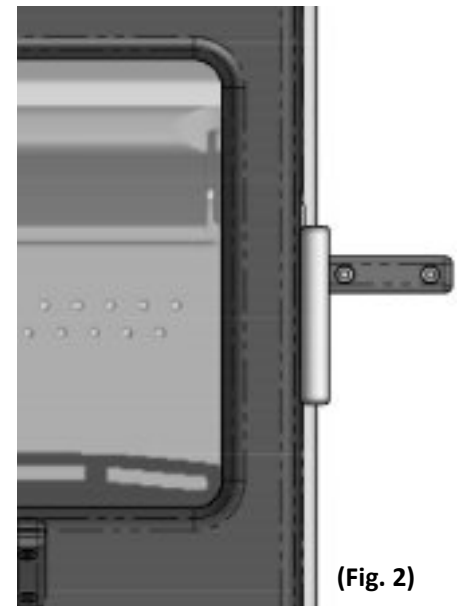
3. Place door spacer tool on magnet latch on the door (fig 2), light the firelighters and push the door to closed position. With the door spacer tool the door is open approximately 2 mm. (fig2) This provides additional combustion air for start up and reduces condensation on the door glass.

4. Once the flames from the logs are fully established. This can take up to 10 minutes. The door can now be closed, remove door spacer tool and push door closed until magnetic closure has located. Leave the air control in the far left position. If the stove flames begin to falter and generate smoke in chamber unlatch the door again and place the door spacer tool on again until the fire is established.

5. Once the fire bed is established slide air control to the middle position. For the stove to burn cleanly plenty of secondary air is needed. Do not be tempted to shut the fire down too early as this may cause smoke. At nominal heat output, expect to refuel your stove approximately once an hour. Check load weights for your model on the table on page 4.

Use the glove when operating the air controls and the door.

MENDIP STOVES RECOMMEND THE USE OF A FLUE THERMOSTAT TO CHECK YOUR STOVE IS NOT OVERHEATING. PLACE A FLUE THERMOSTAT DIRECTLY ABOVE THE COLLAR OF THE STOVE AND REFER TO THE TEMPERATURE GUIDE ON PAGE 4.



(Fig. 2)

**The stove will get very hot during use and due care must therefore be exercised.
Please use the glove when operating the air controls, door and ashpan.**

RE-FUELLING WHEN BURNING WOOD

To re-fuel your stove in the cleanest way only refuel your stove when the flames have died down and you have glowing embers.

Before refuelling, open the air control fully (slide to the left). Unlatch the door to equalise the pressure with the room. Open the door gently, and add one piece of wood (please check weight table page 4) and close the door. Once the flames from the logs are fully established slide the air control to the central position.

The stove is only suitable for intermittent use only. Do not run overnight or for long periods unattended.

USE OF HOUSE COAL AND PETROLEUM COKE ARE NOT SUITABLE FOR THIS STOVE. ITS USE WILL INVALIDATE THE GUARANTEE.

BURNING WOOD IN A SMOKE CONTROL AREA

You must purchase a smoke control version of the Mendip stove which is modified slightly to comply with regulations. Any change to this modification will invalidate the stoves compliance for smoke control areas.

The Clean Air Act 1993 and Smoke Control Areas

Under the Clean Air Act local authorities may declare the whole or part of the district of the authority to be a smoke control area. It is an offence to emit smoke from a chimney of a building, from a furnace or from any fixed boiler if located in a designated smoke control area. It is also an offence to acquire an "unauthorised fuel" for use within a smoke control area unless it is used in an "exempt" appliance ("exempted" from the controls which generally apply in the smoke control area).

In England appliances are exempted by publication on a list by the Secretary of State in accordance with changes made to sections 20 and 21 of the Clean Air Act 1993 by section 15 of the Deregulation Act 2015. In Scotland appliances are exempted by publication on a list by Scottish Ministers under section 50 of the Regulatory Reform (Scotland) Act 2014. Similarly, In Northern Ireland appliances are exempted by publication on a list by the Department of Agriculture, Environment and Rural Affairs under Section 16 of the Environmental Better regulation Act (Northern Ireland) 2016. In Wales appliances are exempted by regulations made by Welsh Ministers.

Further information on the requirements of the Clean Air Act can be found here: <https://www.gov.uk/smoke-control-area-rules>. Your local authority is responsible for implementing the Clean Air Act 1993 including designation and supervision of smoke control areas and you can contact them for details of Clean Air Act requirements.

The ASHCOTT SE stove has been recommended as suitable for use in smoke control areas when burning wood logs. The appliance has been fitted with a modification to fix the air controls at 17% open in its minimum position, alterations should not be attempted.

Mendip smoke control stoves should not be burnt with the door left open.

The refuelling procedure : - allow the newly charged fuel to burn with the secondary air control set at maximum for up 3 to 4 minutes. After this period, with flames from the logs fully established, close the secondary air supply to the low output setting. When operating at high output (secondary air set fully open) the new refuel charge does not require any boost air to establish combustion.

Refuelling on to a low fire bed

If there is insufficient burning material in the firebed to light a new fuel charge, excessive smoke emission can occur. Refuelling must be carried out onto a sufficient quantity of glowing embers and ash that the new fuel charge will ignite in a reasonable period. If there are too few embers in the fire bed, add suitable kindling to prevent excessive smoke.

Fuel Overloading

The maximum amount of fuel specified in this manual should not be exceeded, overloading can cause excess smoke.

Air controls & doors left open

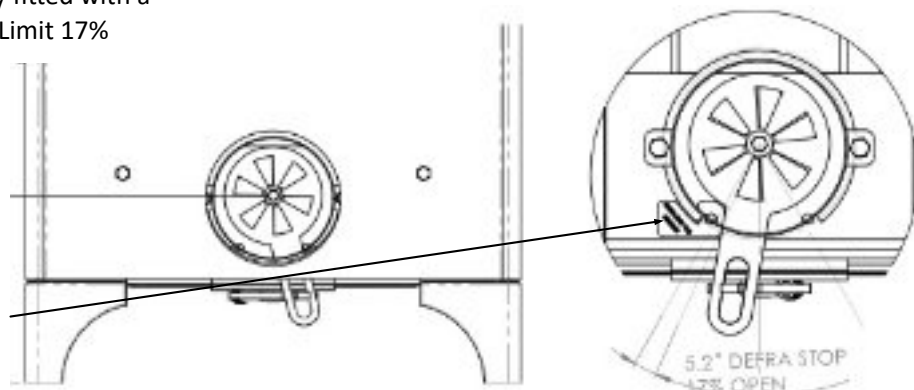
Operation with the air controls fully open can cause excess smoke. The appliance must not be operated with air controls, or door left open except as directed in the instructions.

SE Cleanheat- smoke exemption modification

Smoke exempt models are factory fitted with a air stop on the air control slider: Limit 17%

SE air stop restriction Ashcott 5.0kW
Restricted travel for SE Model (17%)

To remove SE restriction, remove both rear convection panels and air intake collar. This allows the restrictor to be removed. Replace collar and panels.



INCOMPLETE COMBUSTION

If the air controls on your stove are closed too much incomplete combustion may lead to a build-up of hard, shiny soot on the inside of your stove and glass. To prevent sooting of the chamber and glass introduce:-

- 1) more secondary air. Move the air control to the left.
- 2) check that your fuel is suitable and dry (less than 20% moisture content).
- 3) that your flue system (chimney) is producing sufficient draught.

It is important to check the draft conditions before lighting your stove. This may be done, for instance, by crumpling a piece of newspaper, placing it in the combustion chamber and lighting it. The draft conditions are good if the smoke is drawn away through the chimney.

OVERNIGHT BURNING

Mendip Stoves are designed to burn wood. Wood burns more efficiently and cleanly when it is burnt hotter. The typical burn cycle of a wood load is 1hr. Mendip Stoves do not recommend that their stoves are burnt overnight for this reason. As a night time regime we recommend that the fire is loaded when hot and burnt for five minutes with the secondary air control fully open until the new wood has taken and is burning. Then close the air control to its operational position. On returning to the stove in the morning the fire will have burnt out. Reload with a firelighter and some kindling and open the air control fully to relight quickly. Beware as the ash bed could still have hot embers.

PERMANENT AIR VENT

The stove requires a permanent air vent to the room. This is to provide adequate air supply in order for the stove to operate safely and efficiently. In accordance with current Building Regulations the installer may fit a permanent air supply vent into the room in which the stove is installed to provide combustion air. This air vent should not under any circumstances be shut off or sealed.

WARNING NOTE

If properly installed, operated and maintained, this stove will not emit fumes into the dwelling. Occasional fumes from de-ashing and re-fuelling may occur. However, persistent fume emission is potentially dangerous and must not be tolerated. If fume emission does persist, then the following immediate action should be taken:-

- (a) Open doors and windows to ventilate the room and then leave the premises.
- (b) Let the fire go out.
- (c) Check for flue or chimney blockage and clean if required
- (d) Do not attempt to relight the fire until the cause of the fume emission has been identified and corrected. If necessary seek expert advice.

The most common cause of fume emission is flue way or chimney blockage. For your own safety these must be kept clean at all times.

CO Alarm

Your installer should have fitted a CO alarm in the same room as the appliance. If the alarm sounds unexpectedly, follow the instructions given under "Warning Note" above.

Aerosols

Aerosols are flammable and therefore dangerous to use around a lit stove. Do not use aerosol sprays near your lit stove. The use of any aerosol is dangerous and care must be taken in handling aerosols.

Fireguards

The use of a fireguard to BS 8423:2002 in the presence of children, aged and/or infirm persons is essential for their safety, even when the stove is not in use.

The glass on the stove is ceramic glass and able to withstand very high temperatures. However, it is not toughened and a hard impact could cause the glass to break.

TROUBLE SHOOTING

1. Fire Will Not Burn - check

- a) the air inlet is not obstructed in any way,
- b) that the chimney and flue ways are clear,
- c) that a suitable fuel is being used,
- d) that there is an adequate air supply into the room,
- e) that an extractor fan is not fitted in the same room as the fire.

2. Fire Blazing Out Of Control - check

- a) the doors are tightly closed,
- b) the air controls are turned down to the minimum setting,
- c) the flue damper is closed (if fitted),
- d) a suitable fuel is being used,
- e) the door seals are in good condition,
- f) the chimney draft may be too strong
- g) check the ash pan seal and
- h) check for ash below the ash pan causing the pan to sit incorrectly and clean it out.

3. Soot forms on the window

- a) The firewood may be too wet
- b) the intake of secondary air may be insufficient
- c) the fire is not hot enough

4. The stove fails to heat fully

- a) The firewood may be too wet
- b) the intake of secondary air may be insufficient

5. Smoke or odour

- a) weak chimney draft
- b) check for blockages in the flue pipe/chimney
- c) check the height of the chimney relative to the surroundings

6. Soot in the chimney

- a) The firewood may be too wet
- b) intake of secondary air may be insufficient

NOTE: Ticking Noises from the Stove

A stove can make a ticking noise when in use which is caused by the steel panels as they expand and contract with the heat during the burn cycle. Convection stoves are more likely to make a ticking noise as they have more panels and the panels will naturally vary in temperature to one another.

For example, a Mendip logstore stove is made with over 147 individual parts. This number of parts includes the convection panels that allow the stove to achieve low distances to combustible walls. The panels vary in their thickness and depending on how warm the panels are, the expansion levels will differ. This is a natural process and should not be a concern.

MAINTENANCE

Mendip Stoves recommends that your model needs to have the ash removed from the stove at regular intervals (weekly if used daily). Allowing the ash pan to over flow can impede the function of the stove and can cause possible damage to the stove grate and ash pan. To remove the ash pan use the heat protecting glove provided. Lift and pull the ash pan out of the firebox chamber. Take care to support the ash pan during movement. Make sure the stove is completely cold before cleaning out the ash (embers can remain hot for over 24 hours).

Ash must be stored in a non-combustible container and must not be mixed with other combustible waste.

Annual service

The stove should be serviced by a registered dealer once a year. The stove, the flue pipe connection and the chimney should be checked regularly by a qualified engineer. The chimney should also be checked for blockages before relighting the stove if it has not been used for an extended period of time. Insulating fire bricks should be checked for wear and replaced if necessary. Door and ashpan rope seals should be changed annually. Glass clamps and glass should be checked making sure the glass is correctly positioned.

To clean the inside the stove, remove all ash, soot and tar residue from the combustion chamber. Remove the insulated chamber panels and baffle. Dirt and soot will collect behind it and this must be cleaned out. The paint/ lacquer can wear thin in exposed places due to overheating. This, and other lacquer damage, may be repaired using Mendip paint/lacquer spray available from your Mendip dealer. To clean the outside of the stove use a dry cloth.

Your stove should be serviced annually by a registered dealer as a condition of the extended warranty of the stove, failure to maintain a service record will invalidate the extended warranty on your stove.

Prolonged non use (summer)

If the stove is to be left unused for a prolonged period of time (e.g. over the summer) then it should be given a thorough clean to remove ash and unburned fuel residues. To enable a good flow of air through the appliance and to reduce condensation and subsequent damage, leave the air controls fully open.

It is important that the flue connection, any appliance baffles or throat plates and the chimney are swept prior to lighting up after a prolonged shutdown period.

Spare parts & unauthorised alterations

Only the manufacturer's own components, or replacement parts recommended and approved by Mendip Stoves, should be used for appliance servicing and repair. Any unauthorised alterations will invalidate the stove warranty and compliance with EN13240.

SWEEPING YOUR CHIMNEY & CHIMNEY FIRES

Ensure that your appliance, flue ways and chimney are swept regularly. This can be incorporated in the service regime of your appliance. Regular sweeping is essential and means at least once a year for smokeless fuels and a minimum of twice a year for wood. If a throat plate is incorporated, it is essential that the throat plate is removed and cleaned above and all ash and debris should be removed. Ensure there is adequate access to cleaning doors where it is not possible to sweep the chimney through the appliance.

Where a chimney has served an open fire installation previously, it is possible that the higher flue gas temperature from a closed appliance may loosen deposits that were previously firmly adhered, with the consequent risk of flue blockage. It is therefore recommended that the chimney be swept a second time within a month of regular use after installation of the stove.

Chimney Fires

If the chimney is thoroughly and regularly swept, chimney fires should not occur. However, if a chimney fire does occur turn the air control setting to the minimum, and tightly close the doors of the stove. This should cause the chimney fire to go out and in which case the control should be kept at the minimum setting until the fire in the stove has gone out. The chimney and flue ways should then be cleaned. If the chimney fire does not go out when the above action is taken then the fire brigade should be called immediately.

After a chimney fire the chimney should be carefully examined for any damage. Expert advice should be sought if necessary.

STOVE PARTS, COMBUSTION CHAMBER, ASSEMBLY PIÈCES DÉTACHÉES, VUE ÉCLATÉES

This section shows the parts contained in your stove, each stove has over 80 spare-parts and, each part is detailed. When new parts are required the section will allow spares to be recognised and ordered. As a further source of reference please visit www.eurostove.co.uk for latest spare-part information.

Cette section montre les pièces contenues dans votre poêle, chaque poêle a plus de 80 pièces de rechange et, chaque élément est détaillée. Lorsque de nouvelles pièces doivent la section permettra aux pièces de rechange d'être reconnus et ordonné. Comme autre source de referenece s'il vous plaît visiter pour www.eurostove.co.uk dernières informations pièce de rechange.

LOOSE PARTS / PIÈCES DÉTACHÉES

Always use the operating tools provided when handling parts likely to be hot when the stove is in use. Your stove has the following parts in the stove.

1. Cast Iron grate & log retainer
2. Ashpan
3. Stove Glove
4. Top plate decorative cover plate
5. Instruction manual & warranty card
6. Vermiculite brick linings (these are integral to the stoves performance-Do not throw away)
7. Moisture absorbency bag

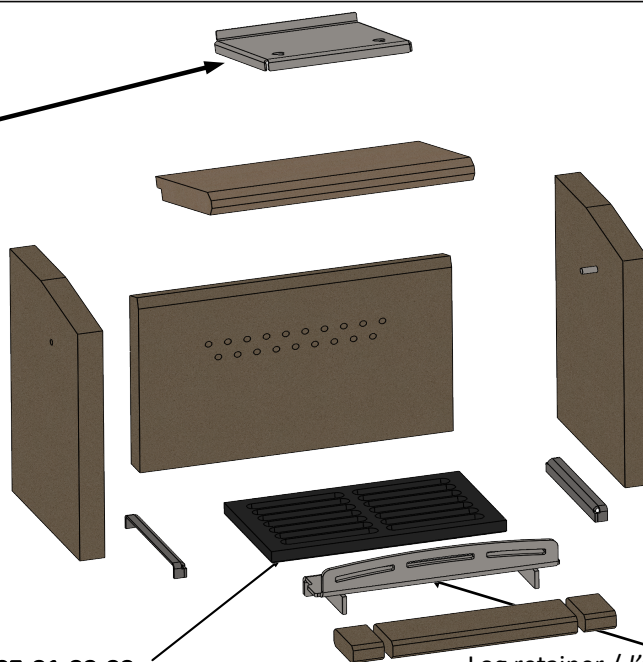


Toujours utiliser les outils prévus pour manipuler les pièces susceptibles d'être chaudes lorsque le poêle est en cours d'utilisation. Votre poêle comprend les

1. Grille en fonte et arrêt de bûches
2. Bac à cendre
3. Gant
4. Plaque de décor
5. Guide d'utilisation et bon de garantie
6. Briques réfractaires, elles font partie intégrante du poêle, ne pas jeter.
7. Sac absorbant d'humidité

ASHCOTT- COMBUSTION CHAMBER/ CHAMBRE DE COMBUSTION INTÉRIEUR

Inner deflection bracket /
Support de déviation intérieur
M10560-02-45-99-01



Grate / Grille - M90500-05-01-00-00

Log retainer / l'arrêt de bûches
M10560-04-00-00-00

Brick set - complete /
Jeu de briques - complet
M10560-02-00-00-01

HOW TO REMOVE A VERMICULITE BRICK SET MONTAGE ET DÉMONTAGE DE L'INTÉRIEUR



To remove a vermiculite brick set take the following steps

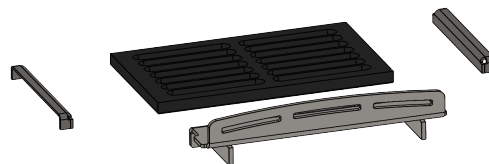
Pour enlever un ensemble de briques vermiculites suivez les étapes

Remove the ashpan and log retainer

Enlever le bac cendre et l'arrêt de bûches

Place your hand through ashpan and lift the cast iron grate up and remove from stove.

Placez la main a travers cendrier et soulevez la grille en fonte.



Remove the 3 small front firebricks and 2 metal grate supports.

Retirez les 3 petites briques réfractaires avant et 2 supports de grille métallique.



Remove the baffle brick by lifting up the brick with one hand, supporting it, whilst removing the 2 baffle pins. Then slide the brick forward and then tilt the brick slightly to remove.

Retirez la brique du déflecteur en soulevant la brique d'une main, en la soutenant, tout en retirant les 2 goupilles du déflecteur. Faites ensuite glisser la brique vers l'avant, puis inclinez légèrement la brique pour la retirer.

Remove the side bricks.

Retirez les briques latérales,



Remove the upper steel baffle by sliding forward baffle and then lowering through larger holes.

Retirez le déflecteur supérieur en acier en faisant glisser le déflecteur vers l'avant, puis en l'abaissant à travers des trous plus grands.

HOW TO REMOVE A VERMICULITE BRICK SET *MONTAGE ET DÉMONTAGE DE L'INTÉRIEUR*



Remove the rear brick by sliding forward at an angle.

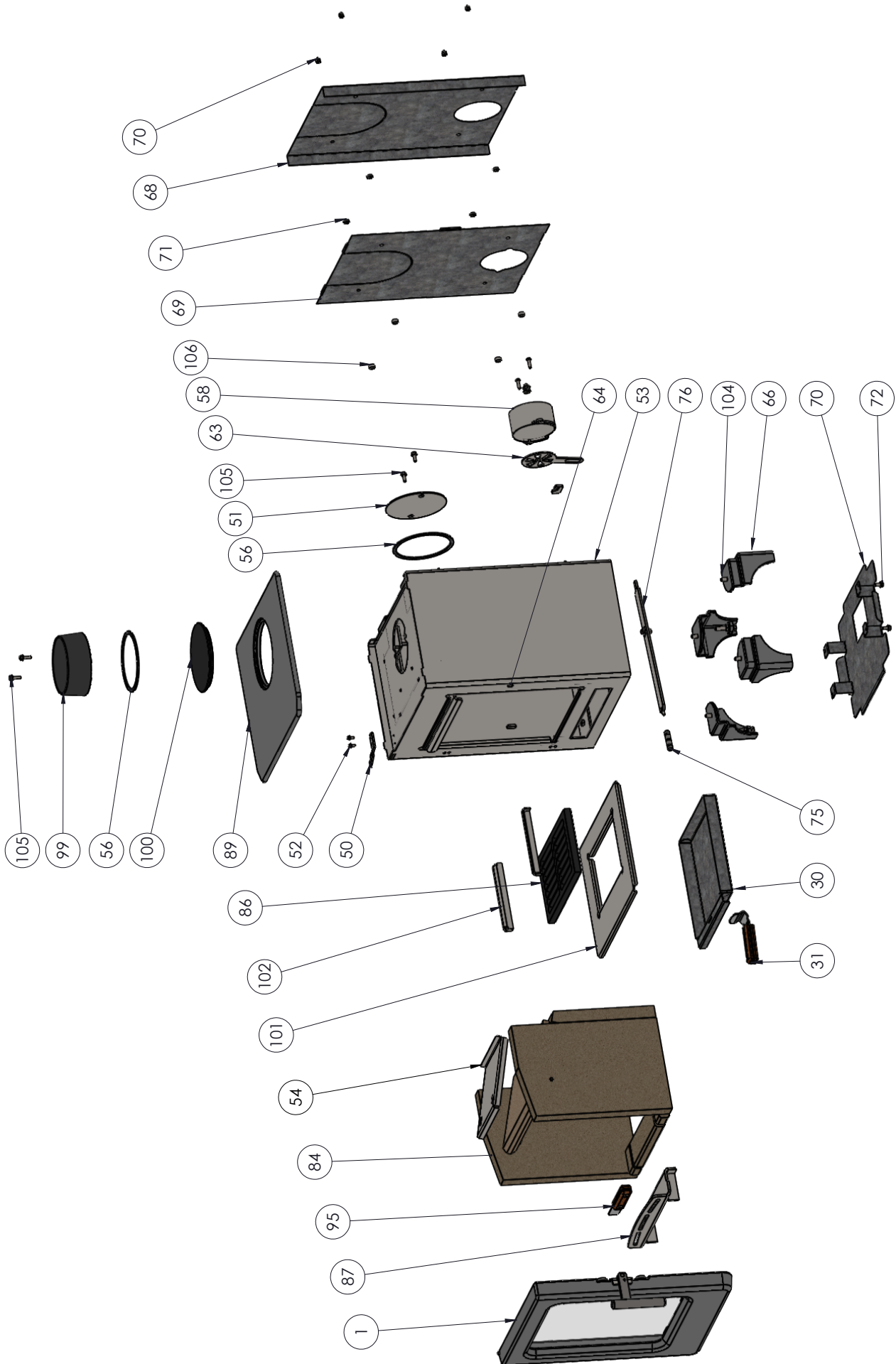
Retirez la brique arrière en la glissant vers l'avant à un angle.



To reinstall repeat these instructions in reverse.

Pour réinstaller, répétez les instructions en sens inverse

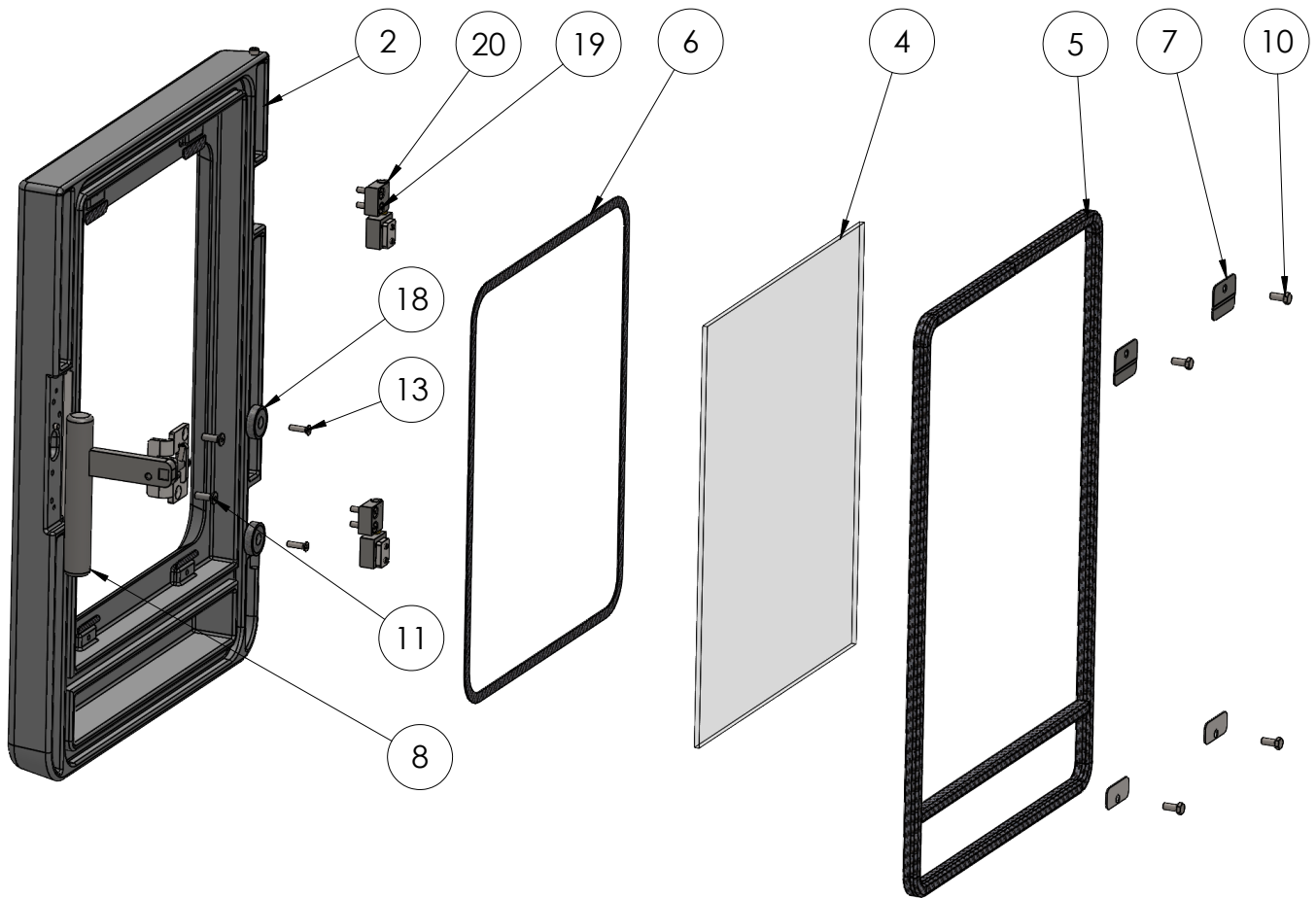
SPARE PARTS LIST / LISTE DES PIÈCES DÉTACHÉES



ITEM NO.	MENDIP STOVE CODE	DESCRIPTION (EN)	DESCRIPTION (FR)	QTY.
1	M10560-06-00-00-00	COMPLETE DOOR ASSEMBLY	Porte complète	1
30	M10560-03-00-00-00	ASHPAN	Bac Cendre	1
31	M10560-03-03-00-00	ASHPAN HANDLE ASSY.	Poignée bac	1
35	n/a	MAIN BODY ASSY.	Corps Assemblage	1
36	M10560-00-04-00-00	MAIN FRAME BODY	Cadre principal	1
51	M10560-07-02-00-00	REAR COVER PLATE	Couvercle plaque arrière	1
56	M90500-07-10-01-01	ROPE SEAL - FLUE COLLAR	Jointe de corde Buse de fumée	2
58	M90500-13-00-00-02	CLOSED COMBUSTION SPIGOT	Robinet de combustion fermé	1
63	M10560-11-29-00-00	MAIN AIR CONTROL PLATE	Plaque de control des aires	1
64	M10560-06-49-99-00	DOOR MAGNET CATCH	aimant porte	1
66	M10560-14-00-00-00	STRAIGHT LEG	Pied droite	4
68	M10560-20-06-99-00	REAR CONVECTION PANEL	Panneaux convection arrière.	1
69	M10560-20-03-99-00	INNER CONVECTION PANEL	Plaque de convection	1
70	M10560-20-08-99-00	M6X20 HEX. HD BOLT	M6 x 30 Hex boulon	4
71	M10560-20-14-99-00	M6 X 6MM SPACER	M6 x 12 Entretoise	4
72	M10560-20-05-00-00	UNDERSIDE HEAT DEFLECTION PANEL	plaque de protection chaleur	1
75	M10560-11-28-99-00	LEVER HANDLE	Poignée de levier	1
76	M10560-11-24-00-00	LEVER ARM - COMBUSTION	Levier de combustion	1
84	M10560-02-00-00-01	MP ASHCOTT BRICK - FULL SET	Jeu de plaques Ashcott	7
86	M90500-05-01-00-00	CAST GRATE	Grille en fonte	1
87	M10560-04-00-00-00	LOG RETAINER	Arrêt Bûches	1
89	M10560-22-03-00-00	TOP PLATE	Plaque de convection	1
100	M10560-07-11-00-00	DECORATIVE CAST IRON COVER PLATE	plaque de cache	1
95	M10560-06-48-99-00	DOOR GAP TOOL	Outil d'écart de porte	1
99	M90500-07-05-00-03	FLUE COLLAR 125mm	Buse de fumée	1
54	M10560-02-45-99-00	INNER DEFLECTION BAFFLE	Déflexion intérieur	1
100	M105060-07-02-00-00	FLUE COVER BLANKING PLATE	PLaquette d'obturation de Fumée	1
101		MID PLATE	Plaque médiane	1
102	ES-300-430-0	SIDE BASE FILLER	Remplissage de base latérale	2
103	ES-300-429-0	REAR BASE FILLER	Remplissage de base arrière	1
104		M8 X20MM	M8 X20MM Boulon	4
105		M6 X 20MM	M6 X 20MM Boulon	4
106		M7 X 7MM SPACER	M7 X 7MM Entretoise	4



DOOR ASSEMBLY / ASSEMBLAGE DE LA PORTE



Door Assembly				
ITEM NO.	MENDIP STOVE CODE	DESCRIPTION (EN)	DESCRIPTION (FR)	QTY.
2	M10560-06-01-00-00	ASHCOTT DOOR	Porte Ashcott	1
4	M10560-01-01-99-00	GLASS	Vitre	1
5	M10560-06-32-00-00	COMPLETE DOOR SEAL	Jointe de porte complète	1
6	M10560-01-02-01-00	GLASS SEAL INC SUPPORTS	Jointe de vitre et supports	1
7	M10560-01-13-99-00	GLASS CLAMP	Serre de vitre haut	4
8	M10560-06-04-00-00	HANDLE ASSEMBLY	Poignée	1
10	U91000-98-06-31-00	M6X12 HEX HEAD SCREW	M6 x 12 Hex vis	4
11	U91000-98-07-31-00	M5X16 HEX. SOCKET C'SUNK SCREW	M5X16 HEX. PRISE tête fraisée	2
12	U91002-00-00-31-00	M6 WASHER	M6 rondelle	4
18	M10560-06-53-99-00	DOOR MAGNET	Aimant de porte	2
20	M10560-06-06-99-00	HINGE BLOCK ASSY.	bloc de charnière assemblage	2
19		Hinge Screws M4 x 20Counter sink		4

HOW TO INSTALL A PEDESTAL / LOGSTORE
COMMENT INSTALLER UN PIEDESTAL / MAGASIN DE BOIS



Remove the cast iron, fire grate and carefully tilt the Ashcott to lie on it's rear on a platform of a similar level as the pallet. It is then possible to access the underside heat shield and remove it.



Reinstate the removed bolts to maintain the air tight combustion chamber. Then remove the leg retention bolts to free the legs from the stove body.



Remove the levelling bolts from the stove leg, which will later secure the pedestal / logstore to the stove body. Following this, conveniently position the base in preparation to fix it to the stove body.



Align the base with the stove body and reinstall the retention bolts - first only finger tight to allow the base to be re-positioned to perfectly align the base before finally tightening them with a socket wrench.

Guide d'utilisation et Mode d'Emploi



ASHCOTT

ASHCOTT PIÉDESTAL

ASHCOTT RANGE-BÛCHE

Ce manuel se réfère aux poêles énumérés ci-dessus. Ils ont été testés conformément à la norme EN 13240.

Nous vous remercions d'avoir choisi un nouveau poêle de Mendip Stoves et nous sommes certains que vous en serez enchantés.

Lisez ces instructions, elles relatent les principes de base pour assurer l'installation satisfaisante de votre poêle, même si pour répondre à des conditions particulières locales, de légères modifications peuvent intervenir.

MODEL NAME	Hauteur (mm)	Largueur (mm)	Profondeur (mm)	Poids
ASHCOTT	575	424	370	70 KG
ASHCOTT PIÉDESTAL	750	424	370	92 KG
ASHCOTT RANGE-BÛCHE	800	424	370	92 KG

CONSIGNES GENERALES DE SANTE ET DE SECURITE

INFORMATIONS DESTINEES A L'UTILISATEUR, A L'INSTALLATEUR ET A L'INGENIEUR DE SERVICE

Lors de l'installation du poêle, vous devez vous assurer de la conformité aux lois sur la santé et la sécurité au travail.

Manutention

Des installations et équipements adéquats doivent être disponibles pour les chargements, déchargements et manœuvres sur le site.

TRAVAIL PREPARATOIRE ET CONTROLES DE SECURITE

Pièces en métal

Prenez toutes les précautions nécessaires lors de l'installation ou de l'entretien de ce poêle pour éviter les blessures.

AVERTISSEMENT IMPORTANT

Ce poêle ne doit pas être installé dans une cheminée servant à d'autres appareils de chauffage. La pièce où est placé le poêle ne doit pas être équipée d'un dispositif d'extraction (VMC par exemple) car ceci pourrait provoquer des fumées en provenance du poêle.

Poêle peinture aérosols

Aérosols de peinture sont inflammables et donc dangereux lors de l'utilisation autour d'un poêle en fonctionnement. Il faut permettre au peinture de sécher et aérer la pièce avant l'allumage de l'appareil

Ciment réfractaire

Certains types de ciments réfractaires sont caustiques et ne doivent pas entrer en contact avec la peau. Après tout contact avec les yeux, laver immédiatement et abondamment à l'eau.

Amiante

Ce poêle ne contient pas d'amiante. Si l'installation exige une manipulation d'amiante, contactez un spécialiste et utilisez l'équipement de protection adapté.

Ces instructions concernent les principes fondamentaux de bonne installation des poêles multi combustibles Mendip Stove.

Toutefois, l'installation doit répondre à la législation en vigueur et aux autres spécifications ou réglementations affectant l'installation du poêle.

CHEMINÉE ET RACCORDEMENT AU POÊLE À BOIS

La sortie de la cheminée doit être au-dessus du toit de l'habitation en conformité avec les dispositions du Règlement local en France. Si l'installation est dans une cheminée existante, alors le conduit existant doit être solide et ne pas avoir de fissure ou autres défaut qui pourraient faciliter la diffusion des fumées dans l'habitat. Les habitations très anciennes peuvent présenter des défauts de conduit ou des sections transversales trop importantes, c'est à-dire, plus de 160 mm x 160 mm.

La société Mendip Stoves conseille l'utilisation d'un système de conduit de fumée de combustibles solides pour l'installation dans des cheminées existantes. Tous les systèmes de cheminée doivent être utilisés conformément au Règlement de construction approuvé. Si une cheminée existante est utilisée, la cheminée doit être exempte de toute obstruction et doit être nettoyée immédiatement avant l'installation du poêle. La cheminée doit être testée pour vérifier la dépression nécessaire au bon fonctionnement du poêle. Si le poêle est installé à la place d'un feu ouvert, la cheminée doit être ramonée un mois après l'installation afin d'éliminer toute suie existante lié à une combustion différente poêle -cheminée.

S'il n'y a pas de cheminée existante, soit une cheminée de blocs préfabriqués en conformité avec des règles de construction ou un jumeau murée isolée conduit inox BS 1856-1 alors ces cheminées doivent être installées conformément aux instructions du fabricant et des règles de construction. Un tubage de cheminée métallique à paroi simple est adapté pour le raccordement du poêle à la cheminée mais ne convient pas pour l'utilisation de la cheminée complète. La cheminée et le conduit de fumée de liaison doivent avoir un diamètre minimal de 125 mm et sa dimension ne doit pas être inférieure à la taille de la buse de sortie du poêle à bois. Tout coude dans la cheminée ou le tuyau de raccordement du conduit de fumée ne doit pas dépasser 45°.

Les coudes de 90° ne doivent pas être utilisés autrement que dans les 150 mm de sortie de la cheminée de l'arrière du poêle

Cheminée & Tirage

Pour faire fonctionner le poêle de façon satisfaisante la hauteur de la cheminée doit être suffisante pour assurer un tirage adéquat pour effacer les produits de combustion et de prévenir les problèmes de fumée dans la pièce.

Les résultats des tests pour des débits et des températures d'émission	Combustion taux – Bois	Température de fumée Bois	@ Aspiration Pa
ASHCOTT	4.6/sec	232deg C	12 pa

Une cheminée de 4 m 50, mesurée verticalement à partir de la sortie de la buse du poêle à la partie supérieure de la cheminée doit être satisfaisante. Sinon la procédure de calcul donnée dans la norme BS 5854: 1980 peut être utilisée comme base pour décider si la conception de cheminée fournira suffisamment de tirage.

Si l'on constate qu'il y a un tirage excessif dans la cheminée alors on peut effectuer un réglage de fumée manuel ou installer un stabilisateur de tirage. Le réglage de la cheminée ajustable ne doit pas fermer la fumée entièrement mais devrait dans sa position fermée quitter une zone continue minimale d'ouverture libre d'au moins 20% de la superficie totale de la section transversale du conduit de cheminée ou ventouse. Une trappe de ramonage doit être prévue et accessible pour faciliter le ramonage de la cheminée et du conduit de raccordement. Votre appareil doit être entretenu régulièrement, le déflecteur doit être nettoyé régulièrement (tous les mois). Le conduit de fumée peut être nettoyé avec une brosse souple. Utilisez uniquement un chiffon sec sur les surfaces externes. Au fil du temps le verre peut devenir sale, nettoyez avec un chiffon humide et polir avec un chiffon humide. Si le poêle n'a pas été utilisé pendant un certain temps le conduit de fumée doit être vérifié pour éviter tout blocage avant utilisation. Ne pas modifier l'appareil ; utilisez uniquement des pièces de rechange autorisées par le fabricant.

INDICES DE PERFORMANCE ET RÉSULTAT DES TESTS

Mendip Stoves, ASHCOTT Poêles à bois sont conforme au EN 13240.

	Puissance bois	Rendement	@ CO@13% O ₂	Recommended for smoke control Oct 2017
ASHCOTT	5.0 kW	80.3%	0.09	Yes / SE model

	Max Longueur de Bûche	Fréquence de Recharge Bois	Poids de Recharge Bois	Dimension Bois H x W x L cm
ASHCOTT	30cm	~45min	1.0kg	10 x 10 x 30

DISTANCE AUX MATÉRIAUX INFLAMMABLES

Les matériaux combustibles ne doivent pas être situés à proximité de la diffusion de la chaleur à travers les parois des poêles ou cheminées ; ils pourraient s'enflammer. Par conséquent lors de l'installation du poêle, il faut respecter les distances de sécurité données dans le Règlement de construction local mais aussi dans les instructions du poêle établies à la suite de tests. Les distances minimum des matériaux inflammables sont indiquées sur la plaque EN 13240 au dos du poêle à bois.

	Distance de sécurité arrière	Distance latérale au inflammable	Convenable plaque de plancher
ASHCOTT	150mm	400mm	OUI

FOYER

Le foyer doit être capable de supporter le poids du poêle et de sa cheminée.

Modèles , ASHCOTT, sont testés et adaptés pour être installés sur une plaque non combustible de 12 mm comme une plaque de sol verre de 12 mm ou une plaque d'ardoise de 20mm.

L'Installation de tous les foyers doit se conformer à la taille et la construction de sorte qu'il est en conformité avec les dispositions de Règlement locale.

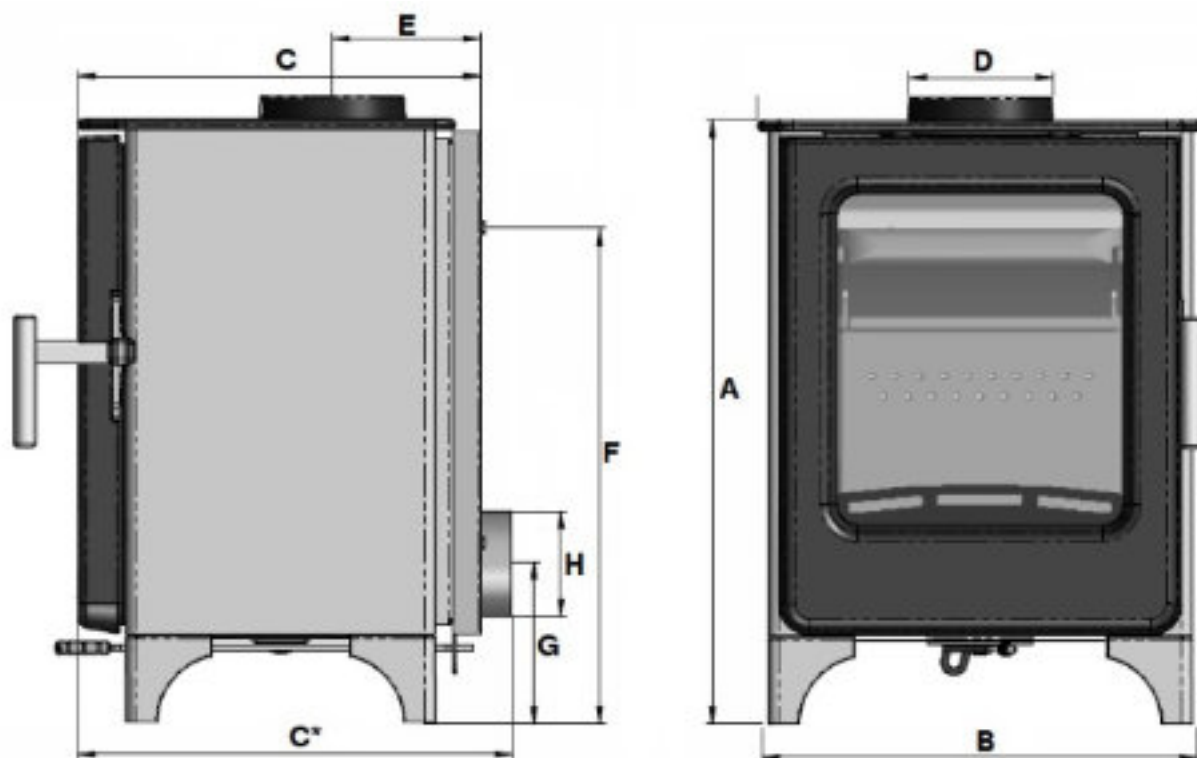
Les distances de sécurité aux matériaux inflammables autour, à l'arrière du foyer doivent se conformer aux normes fixées dans le Règlement de construction locales et aussi dans ce guide d'utilisation. Si le poêle doit être installé sur un plancher en bois, il doit être recouvert d'un matériau non-combustible et conformément aux règles de construction locales à une distance de 30 cm devant le poêle et 15 cm du côté latérale du poêles.

FOYER

Il est nécessaire de prévoir avec le poêle des entrées d'air suffisantes pour un fonctionnement efficace, pour assurer la sécurité des habitants et parer à toute éventualité. Cela est particulièrement nécessaire si la pièce dispose un double vitrage, si un stabilisateur de tirage de fumée est monté sur l'appareil, ou encore si des systèmes d'échangeur de chaleur de l'air à pression négative sont utilisés. La fourniture de l'alimentation en air du poêle doit être conforme aux règles de construction locales actuelles. Une fenêtre ouverture ne convient pas à cet effet. Les entrées d'air doivent être positionnées de telle sorte qu'elles ne peuvent pas être bloquées. Une entrée d'air peut être une ouverture (cette sortie doit être ouverte et assurer sa fonctionnalité lorsque le poêle est allumé).

Il n'y a pas de règles européennes concernant la distance minimale des murs non-inflammables, Mendip Poêles recommande de laisser une distance d'au moins 100 mm à l'arrière et sur les côtés du poêle. Les Modèles ASHCOTT, , prennent l'air de combustion à partir d'une seule ouverture de 80mm sous le poêle, une fois la porte fermée l'amenée d'air fournit tout l'air de combustion de l'appareil. Celui-ci peut être relié à l'extérieur par un tuyau de 80 mm de sorte que le dispositif ne prenne pas d'air de la pièce. Cependant, Mendip Poêles recommande toujours l'utilisation d'une arrivée d'air dans la pièce suffisante pour permettre la reconstitution rapide de l'air ambiant pour les habitants en cas de problème.

DIMENSIONS DES POÊLES ET DE TAILLES DE RACCORDEMENT



	Hauteur	Larguer	Profondeur	Profondeur avec d'Entrée d'Air	Diamètre de la Cheminée	Distance de			Diamètre d'Entrée d'Air
						Sol à la Sortie de Cheminée Arrière	Floor to Rear Flue Exit	Sol à la Prise d'Air	
	A	B	C	C*	D	E	F	G	H
ASHCOTT	575mm	424mm	310mm	412mm	125mm	128mm	460mm	151mm	100mm
ASHCOTT PIÉDESTAL	750mm	424mm	370mm	412mm	125mm	128mm	635mm	326mm	100mm
ASHCOTT RANGE-BÛCHE	800mm	424mm	370mm	412mm	125mm	128mm	685mm	376mm	100mm

DIMENSIONS DES POÊLES ET DE TAILLES DE RACCORDEMENT

La chambre de combustion Mendip, les panneaux de vermiculite sont conçus pour assurer le maximum d'efficacité et sont une partie intégrante du processus de combustion propre au poêle. La vermiculite ne doit pas être enlevée autrement que pour nettoyer le poêle. Tous les panneaux brisés défectueux doivent être remplacés, mais la présence de petites fissures ne nécessite pas de remplacement immédiat. Pour éviter les dommages accidentels potentiels de briques, placez le bois dans le foyer tout en portant un gant lors du ravitaillement, évitez de jeter les bûches ; l'impact à partir des bûches peut causer des fissures prématurées au niveau des panneaux de vermiculite.

Raccordement pour cheminée

Les poêles Mendip sont construits avec une sortie par le haut en standard, ce qui peut être modifié pour une connexion arrière en retirant le collier supérieur, et en le positionnant sur le couvercle à l'arrière. Des précautions doivent être prises pour assurer un ajustement étanche à l'air lors du montage du collier et de la plaque. Une plaque de couvercle décorative est incluse dans chaque poêle pour couvrir le trou dans la plaque supérieure de convection. Ce collier permet la connexion soit à une cheminée de maçonnerie, à une pièce d'usine préfabriquée isolée, ou à une cheminée en métal. Il faut s'assurer que les pièces détachées (en briques et grilles) soient montés conformément aux instructions données dans le guide d'utilisation. À l'issue de l'installation, prévoir une période de temps convenable pour que tous les mastics d'incendie sèchent, un petit feu peut être allumé pour vérifier que la fumée et les vapeurs sont prises du poêle vers la cheminée et émises en toute sécurité dans l'atmosphère. Ne pas faire fonctionner l'appareil à pleine puissance pendant au moins 24 heures.

MIS EN SERVICE

Au terme de l'installation, les instructions d'utilisation sont laissées au client. Assurez-vous de conseiller le client sur l'utilisation correcte de l'appareil avec les combustibles susceptibles d'être utilisés dans le poêle et notifier leurs l'utilisation de combustibles recommandés pour le poêle. Transmettez les recommandations nécessaires à l'utilisateur en cas d'émanations de fumées par le poêle. Le client doit être averti de l'utilisation d'un pare-feu à la norme BS 8423: 2002, en présence des enfants, ou de personnes âgés ou infirmes.

MIS EN SERVICE

Combustibles appropriés

Votre poêle est testé pour brûler du bois. Les briquettes de bois peuvent également être brûlées, mais il faut prendre en compte leur fort pouvoir calorifique en comparaison au bois. Ne surchargez pas le poêle car cela peut causer une chaleur excessive et endommager le poêle (voir le tableau à la page 28).

GARDEZ TOUJOURS la charge de bois en dessous de l'ouverture de l'air TERTIAIRE à l'arrière du poêle. Utilisez uniquement des combustibles approuvés pour utilisation sur les poêles à bois. Ne pas brûler les combustibles liquides, dérivés du bois, bois fini, bois scié, palettes en bois, bois aggloméré, contreplaqué en bois ou en plastique recouvert de bois verni, le bois traité avec des conservateurs, ou de tout types de déchet domestique.

NE PAS DEPASSER POIDS carburant spécifié.

NE PAS BRÛLER DU CHARBON BRUN. NE PAS BRÛLER DES DÉCHETS DOMESTIQUES, CET APPAREIL N'EST PAS UN INCINERATEUR

MENDIP STOVES conseille l'utilisation d'un **THERMOSTAT** de cheminée pour vérifier que votre poêle ne surchauffe pas. Mettez le **THERMOSTAT DIRECTEMENT AU-DESSUS DU POELE** sur le conduit et comparer aux **TEMPERATURES** de références déclarées dans les tests (page 27).

PREMIER ALLUMAGE DE VOTRE POÊLE

La peinture du poêle résistante à la chaleur, "cuira" et durcira la première fois que vous allumerez votre poêle. Le procédé de durcissement produit beaucoup de fumée et une forte odeur. Il est donc important que la pièce soit bien aérée pendant ce premier allumage.

Au cours de cette période, lors des deux ou trois premiers allumages, il est important d'ouvrir et de fermer périodiquement la porte du poêle (toutes les 30 minutes), ce qui évitera à la corde d'étanchéité autour de la porte de coller et de se détacher. Une fois la peinture résistante à la chaleur "cuite", l'odeur disparaîtra. Ce poêle n'est pas prévu pour être utilisé avec la porte ouverte, elle doit rester fermée, sauf pendant l'allumage, le chargement des bûches ou le nettoyage des cendres, ceci pour empêcher les gaz brûlés de s'échapper. **Allumage ultérieur du poêle**

Utilisez des allume-feux de bonne qualité pour allumer le poêle (N'utilisez jamais d'alcool pour allumer le poêle, de pétrole ou autres liquides inflammables). Il sera plus fiable et plus facile d'allumer le poêle avec des allume-feux qu'avec du papier.

Votre poêle n'est pas conçu pour être utilisé avec la porte ouverte ; la porte du poêle doit être maintenu fermée sauf pour allumer le poêle, ajouter du bois de chauffage ou enlever des cendres et ceci afin d'empêcher les gaz de combustion de fuir.

COMMENT ALLUMEZ VOTRE POÊLE À BOIS MENDIP

emarque : Si la conduit est à l'extérieure et en période de grand froid, il peut être nécessaire de réchauffer la cheminée en utilisant les allume-feux préalable à l'allumage avec du bois.

1. Placez des petits bouts de bois sec (petit bois) dans le foyer par-dessus les allume-feux non toxiques. Posez un ou deux bouts de bois sec fendu au quart par-dessus. L'embranchement des bûches empilées sur le schéma permet la diffusion libre de l'air de combustion ; ce qui facilite l'allumage.

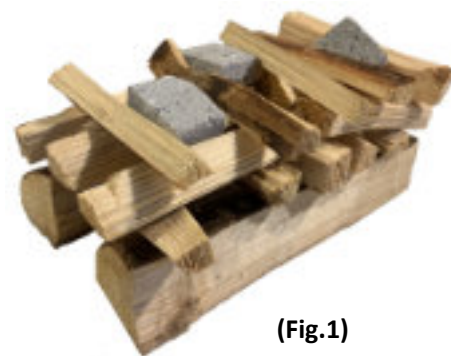
2. Glissez complètement le contrôle d'air vers a gauche. (Ouvrir complètement). Le poêle a maintenant plein air secondaire pour le démarrage. En dessous de la porte du poêle. Faites glisser pleinement à la position médiane. Le poêle dispose désormais d'un mélange d'air primaire air et secondaire pour le démarrage.

3. Placez l'outil d'espacement sur le loquet magnétique pour fournir un espace de 2 mm pour l'éclairage du poêle, puis poussez la porte en position fermée. Allumez les allume-feux, placez-les dans le poêle et fermez la porte à cette position. L'espace permet à l'air supplémentaire de démarrer le poêle et réduit la condensation sur la vitre.

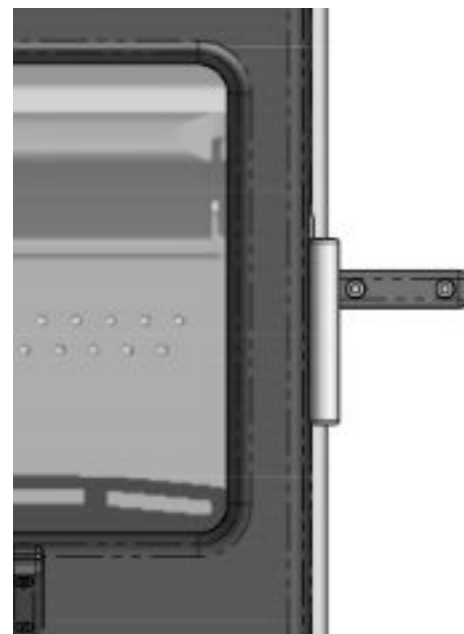
4. Une fois les flammes du bois bien établies, ce qui peut prendre jusqu'à 10 minutes.

5. Une fois le feu établi, faites glisser le contrôle d'air vers le milieu, n'essayez pas d'éteindre le feu trop rapidement car cela produira de la fumée. Attendez-vous à recharger le poêle environ une fois par heure. Vérifiez le poids des charges de votre modèle sur le tableau de la page 22.

6. Une fois la puissance calorifique nominale atteinte, faites le plein de votre poêle environ une fois par heure.



(Fig.1)



(Fig.2)

Utilisez le gant lorsque vous utilisez les commandes d'air et de la porte.

Le poêle devient très chaud lors de l'utilisation il faut être vigilant. Il est nécessaire d'utiliser le gant lorsque vous utilisez les commandes d'air, portes et cendrier.

CONTROL D'AIR DU POÊLE A BOIS

Le contrôle de l'air pour le modèle Ashcott est un seule levier de commande. Le levier fonctionne en se déplaçant de gauche à droite.



Moins d'air

**Levier en position droite -
air secondaire fermé.**



Plus d'air

**Levier en position gauche - air
secondaire complètement
ouvert**

BOIS DE CHAUFFAGE

Pour une utilisation optimale de votre poêle, il est nécessaire d'utiliser du bois de chauffage de bonne qualité. Il faut brûler un bois de chauffage sec issu de bois de feuillus (la teneur en humidité doit être inférieure ou égale à 20%). Le taux d'humidité du bois joue un rôle important car l'utilisation de bois humide diminue le rendement de l'appareil et peut provoquer un film de suie goudronneuse sur le fonctionnement interne de du poêle. Les bois récemment coupés contiennent 60-70% d'eau, ce qui rend totalement impropre à l'utilisation du bois de chauffage.

Tout bois récemment coupé, devrait être empilé et séché à l'air sous abri pendant deux ans avant d'être utilisé comme bois de chauffage.

CHARGEMENT DE BOIS

Ne pas brûler des combustibles liquides, dérivés du bois, bois fini, bois scié, des palettes en bois, aggloméré contreplaqué en bois ou en plastique recouvert de bois verni, bois traité avec des conservateurs, ou déchets domestique.

Pour alimenter votre poêle de la manière la plus propre ne placez pas de combustible dans votre poêle lorsque les flammes se sont apaisées ou que vous avez des braises.

Avant de faire le plein, ouvrez l'air pleinement et placer le levier à la position centrale. Déverrouillez la porte pour égaliser la pression de la chambre. Ouvrez la porte doucement, ajouter un morceau de bois (pour les 4,6 et 6 kW) ajouter deux morceaux de bois (pour les modèles 8 & 10kW), vérifier le poids (tableau page 28) et fermer la porte. Une fois les flammes pleinement établies, placez la tirette UAC à la bonne position et poussez la tirette de control d'air 75% fermé.

L'utilisation du poêle déterminera les paramètres qui vont générer les meilleurs résultats. Utilisez un thermostat de fumée pour vérifier que le poêle ne surchauffe pas. Les thermostats de fumée doivent être placés directement au-dessus du poêle sur une section non isolée du tuyau (la zone efficace de température de fonctionnement est comprise entre 200c et 400c).

ENCRASSEMENT ET COMBUSTION INCOMPLÈTE

Si les contrôles d'air sur votre poêle sont fermés, une combustion incomplète peut conduire à une accumulation de suie, une suie dure et brillante à l'intérieur de votre poêle et sur la vitre.

Pour éviter la prise de suie dans votre poêle et l'encrassement de la vitre :

- 1) Utilisez plus d'air secondaire
- 2) Vérifiez que votre bois est adapté et sec.
- 3) Vérifier que vous avez un tirage suffisant dans votre cheminée. Il est important de vérifier les conditions de tirage avant d'allumer votre poêle. Ceci peut être réalisé, par exemple, en plaçant d'un morceau de papier journal froissé et allumé. Les conditions de tirage sont bonnes si la fumée est attirée par la cheminée.

ENCRASSEMENT ET COMBUSTION INCOMPLÈTE

Mendip Stoves sont conçus pour brûler du bois.

Comme un régime de temps de nuit, nous recommandons que la chambre de combustion est chargé quand il est chaud et brûlé pendant cinq minutes avec le contrôle d'air secondaire complètement ouvert jusqu'à ce que le nouveau bois a pris et est en train de brûler, puis fermer le tirette d'air secondaire à sa position opérationnelle.

De retour au poêle dans la matinée, le feu aura éteinte, recharger avec du papier ou allume-feu et du petit bois et ouvrir le control d'air entièrement pour rallumer rapidement. Méfiez-vous que le lit de cendres aura braises chaudes.

ATTENTION

Correctement installé, exploité et entretenu, votre poêle n'émettra pas de fumées dans l'habitation. Des Fumées occasionnelles lors du décendrage et du ravitaillement en bois peuvent se produire. Cependant, les émissions de fumées persistantes sont potentiellement dangereuses et ne peuvent pas être tolérées.

Si les émissions de fumée persistent, suivez ces instructions:

- a) Ouvrez les portes et les fenêtres pour ventiler la pièce, puis quittez les lieux.
- b) Sortir les bûches.
- c) Vérifier qu'il n'y ait pas d'obstruction dans la cheminée et procéder au nettoyage.
- d) Ne pas rallumer le feu jusqu'à la cause des fumées soit identifiée et traitée. Si nécessaire consulter un expert. La cause la plus fréquente des émissions des fumées de combustion est liée à une obstruction dans la cheminée. Pour votre propre sécurité, les conduits doivent être maintenus propres en permanence.

Alarme CO

Votre installateur doit être muni d'un avertisseur de CO dans la même pièce que l'appareil. Si l'alarme s'active de façon inattendue, suivez les instructions données sous "Attention Remarque" ci-dessus.

Aérosols

Les aérosols sont inflammables et donc dangereux, ne pas les utiliser près d'un poêle en fonctionnement.

ATTENTION

1. Le feu ne prend pas - vérifiez
 - a) que l'entrée d'air ne soit pas obstruée d'aucune manière
 - b) que le conduit des fumées et de la cheminée soient dégagés
 - c) l'utilisation d'un combustible adapté.
 - d) l'alimentation suffisante en air de la pièce
 - e) que la pièce où est placé le poêle ne soit pas équipée d'un dispositif d'extraction (comme une VMC).
2. Flammes incontrôlables – vérifiez
 - a) que la porte soit bien fermée
 - b) que le contrôle d'air soit réglé au minimum
 - c) que le registre d'entrée d'air soit fermé et qu'il ne soit pas obstrué par la cendre ou un bout de tison
 - d) qu'un combustible adapté soit utilisé
 - e) que les joints de la porte soient en bon état
 - f) que le tirage de la cheminée ne soit pas trop fort.
 - g) que le joint du bac à cendres soit en bon état,
 - h) qu'aucune cendre ne bloque le bac à cendres, si nécessaire et nettoyer.
3. De la suie se forme sur la vitre – vérifiez
 - a) que le bois ne soit pas trop humide
 - b) que l'arrivée d'air secondaire soit suffisante
 - c) que le feu soit assez chaud.
4. Le poêle ne chauffe pas bien – vérifiez
 - a) que le bois ne soit pas trop humide
 - b) que l'arrivée d'air secondaire soit suffisante.
5. Fumée ou odeur – vérifiez
 - a) que le tirage de la cheminée ne soit pas trop faible
 - b) que la cheminée ou le tubage ne soient pas partiellement ou totalement bloqués
 - c) que la hauteur de la cheminée soit adéquate par rapport à l'environnement
6. Suie dans la cheminée – vérifiez
 - a) que le bois ne soit pas trop humide
 - b) que l'arrivée d'air secondaire soit suffisante.

ENCRASSEMENT ET COMBUSTION INCOMPLÈTE

Mendip Stoves recommande de nettoyer régulièrement votre poêle, retirez la cendre (hebdomadaire si l'utilisation est quotidiennement). Utiliser un cendrier rempli par trop de cendre peut entraver le fonctionnement du poêle et peut causer des dommages sur la grille du poêle et sur le cendrier. Pour enlever le bac à cendre, utiliser l'outil et l'accrocher sur le devant du cendrier. Soulevez et sortez de sa position en dessous de la chambre de combustion. Prenez soin de soutenir le cendrier pendant le mouvement, toujours porter un gant résistant à la chaleur. Assurez-vous que le poêle soit complètement froid avant de retirer les cendres (les braises peuvent rester chaudes pendant plus de 24 heures). Les cendres doivent être stockées dans un récipient incombustible et ne doivent pas être mélangées avec d'autres déchets combustibles.

L'ENTRETIEN ANNUEL

L'intérieur du poêle doit être nettoyé une fois par an. Pour nettoyer l'intérieur, enlevez toutes les cendres, la suie et les résidus de goudron de la chambre de combustion. Retirer les panneaux de chambre isolée et le déflecteur, la saleté et la suie s'infiltreront derrière ces éléments et cela doit être nettoyé. Vérifiez la qualité de tous les panneaux isolés et remplacez les éléments endommagés ou fissurés, remplacez le joint de la porte du poêle. Vérifiez que le verre de la vitre soit correctement positionné. La connexion du conduit de fumée et la cheminée devraient être régulièrement vérifiées par un professionnel qualifié. Si pendant une période prolongée, le poêle n'est pas utilisé, il faut vérifier la cheminée, et écarter toute obstruction. La peinture, la laque peut devenir mince avec la chaleur dans des endroits exposés suite à une surchauffe. Les dommages de la peinture et de la laque, peuvent être réparés à l'aide de la Senotherm peinture ; une laque de pulvérisation disponible chez votre revendeur Mendip. Pour nettoyer l'extérieur de la poêle, utiliser un chiffon sec.

Non utilisation prolongée (d'été)

Si le poêle n'est pas utilisé pendant une période de temps prolongée (par exemple pendant l'été), alors, un nettoyage en profondeur pour éliminer les résidus de cendres et de carburant non brûlé devrait être effectué. Pour permettre une bonne circulation de l'air à travers l'appareil, pour réduire la condensation et les dommages ultérieur, laissez les contrôles d'air complètement ouvert. Il est important que la liaison du conduit de fumée, des déflecteurs ou des plaques de l'appareil de la gorge et la cheminée soit nettoyée avant l'allumage après une période d'arrêt prolongée.

Pièces de rechange et des modifications non autorisées

Seul les composants propres du fabricant, ou pièces de rechange recommandées et approuvées par des poêles Mendip doivent être utilisés pour l'entretien de l'appareil et la réparation. Toute modification non autorisée annulera la garantie du poêle et la conformité à la norme EN 13240.

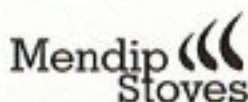
Balayer vos cheminées et feux de cheminée

Assurez-vous que votre appareil, conduits de fumée et la cheminée sont balayés régulièrement. Cela peut être entamé le fonctionnement de votre appareil.

Le ramonage régulier est essentiel et cela implique d'en effectuer un au moins une fois par an pour les carburants sans fumée et un minimum de deux fois par an pour le bois. Si une plaque d'étranglement est incorporée, il est essentiel que la plaque à aiguille soit retirée et nettoyée ci-dessus, toutes les cendres et les débris doivent être enlevés. Assurer un accès adéquat aux portes de nettoyage là où il n'est pas possible de ramoner la cheminée à travers l'appareil. Si une cheminée a été utilisée pour une installation de feu ouvert, il est possible que la température des gaz de combustion plus élevée à partir d'un appareil fermé puisse desserrer les dépôts qui ont été précédemment formés, avec le risque de blocage des fumées. Il est donc recommandé que la cheminée soit nettoyée une deuxième fois en un mois d'utilisation régulière après l'installation du poêle.

Incendies de cheminée

Il ne devrait pas y avoir d'incendies de cheminée si elle est bien ramonée régulièrement. Toutefois, si cet incident se produit, tournez le réglage du contrôle d'air au minimum et fermez soigneusement la porte du poêle. Ces mesures devraient éteindre l'incendie, auquel cas le contrôle doit rester au minimum jusqu'à ce que les flammes soient éteintes dans le poêle. Il faut ensuite nettoyer la cheminée et le conduit de fumée. Si l'incendie ne s'éteint pas une fois les mesures ci-dessus prises, appeler immédiatement les sapeurs-pompiers. La cheminée doit être examinée en détail pour vérifier qu'elle ne soit pas endommagée. Consulter un spécialiste si nécessaire.



Declaration of Performance DOP	
NO:	DOP 7
Product type:	Freestanding stove
Type, batch or serial number:	Ashcott
Intended use of the product:	Heat distribution/room heating. Without hot water supply.
Name and Address of the manufacturer:	Mendip Stoves Eurostove Ltd Unit H1, Mendip Industrial Estate, Rooksbridge, Somerset TA9 4NG
AVCP: <i>System(s) of assessment and verification of constancy of performance (AVCP) of the construction product as set out in CPR, Annex V</i>	System 3 ISO 9001 CA15256
Notified body: SGS NEDELAND BV Test report no: EZKA/2017-02/00030-5	NB 0608 SGS EZKA/2017-02/00030-5 (wood)
Declared performance:	
Harmonized technical specification	EN13240:2001/A2:2004/AC2007
Essential characteristics	Performance
Fire safety	
Reaction to fire	A1
Distance to combustible materials	Minimum distances, in mm Rear = 150mm Side = 400mm
Risk of burning fuel falling out	NPD
Emission of combustion products	CO [0,09%](w) NOx [105 mg/Nm3] (w) OGC [107 mgC/Nm3](w) Dust [31 mg/Nm3] (w)
Surface temperature	Pass
Electrical safety	-
Clean ability	Pass
Maximum water operating pressure	-
Flue gas temperature at nominal heat output	T [232°] (w)
Mechanical resistance (to carry a chimney/flue)	NPD
Thermal output	
Normal heat output	5.0 kW (w)
Room heating output	5.0 kW (w)
Water heating output	N/A -*kW
Energy efficiency	η [80.3%] (W)

Rooksbridge March 2017

ROOKSBRIDGE

(Date and place of Issue)



Signature

DECLARATION: The performance of the product identified in points 1 and 2 in conformity with the declared performance in point 8. This declaration of performance is issued under the sole responsibility of the manufacturer identified in point 4.

Signed on behalf of the manufacturer

Chris Baines

Director

Eurostove Ltd, Unit H1, Mendip Industrial Estate, Rooksbridge, Somerset. TA9 4NG

Tel: 01934 750500 E-mail: info@eurostove.co.uk



Product End-of-Life/Recycling:

To dispose of the stove after the product life has expired, please observe the following information.

- Dispose of the items correctly i.e. separate the parts to be disposed of in material groups.
- Always dispose of items in a way that is as sustainable as possible and that is in line with the current environmental protection, reprocessing/recycling and disposal technology.



SUMMARY

This report contains the test results of a room heater fired by solid fuels in accordance with NEN EN 13240:2001 and NEN EN 13240-A2:2004.

Brief description of the project

Description	
Date of test	June 29, 2017 June 30, 2017
Manufacturer	EUROSTOVE LIMITED UNIT H1, MENDIP INDUSTRIAL ESTATE MENDIP ROAD ROCKSBRIDGE, SOMERSET BS26 2UG, UK
Principal	EUROSTOVE LIMITED
Appliance	Ashcott
Test category	Initial type test

An abstract of the results is presented below:

Abstract of the test results

Essential characteristic	
Test fuel	Beech
Fire safety	Pass
Emission of combustion products (related to 13% O ₂)	CO: 0.09 vol% NO _x : 105 mg/m ³ CO ₂ *: 107 mgC/m ³ Dust: 31 mg/m ³
Surface temperature	Pass
Measured thermal output	5.0 kW
Energy efficiency	80.3 %
Release of dangerous substances	Pass

* equivalents of CO₂

Room heater **Ashcott** is an intermittent burning appliance. The appliance is not suitable for installation on a shared flue gas system.

This test report consists of pages 1 until 16 and the annexes 1 until 5.

CONCEPT

Page 3 of 20



Mendip Stoves Ltd.

Unit H1
Mendip Industrial Estate
Mendip Road
Rooksbridge
Somerset
BS26 2UG

Website

www.mendipstoves.co.uk

Email

info@eurostove.co.uk

Telephone

(0044) (0)1934750500



0 691046 772381

CODE: M10560-49-00-99-01