

OPERATION AND INSTALLATION MANUAL

WOODBURNING & SMOKE EXEMPTION MODELS

WOODLAND LARGE DUAL CONTROL



The Woodland Large SE M00830-00-00-00-01

The Woodland Large Logstore SE M00831-00-00-00-01

The Woodland Large Convection SE M00832-00-00-00-01

The Woodland Large Convection Logstore M00833-00-00-00-01

Woodland Large DC Logstore



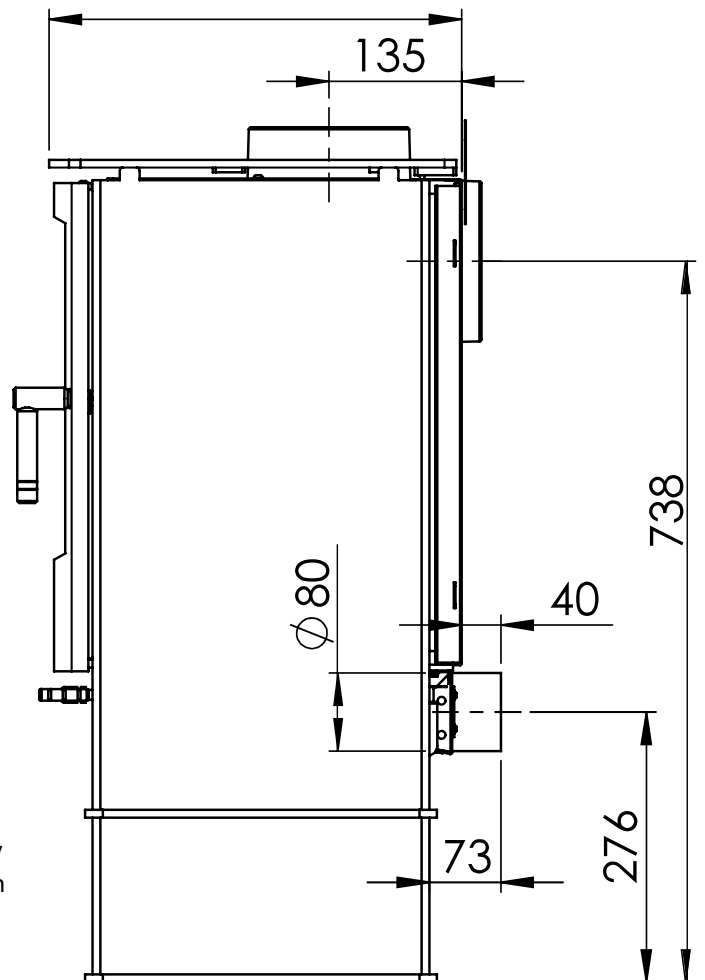
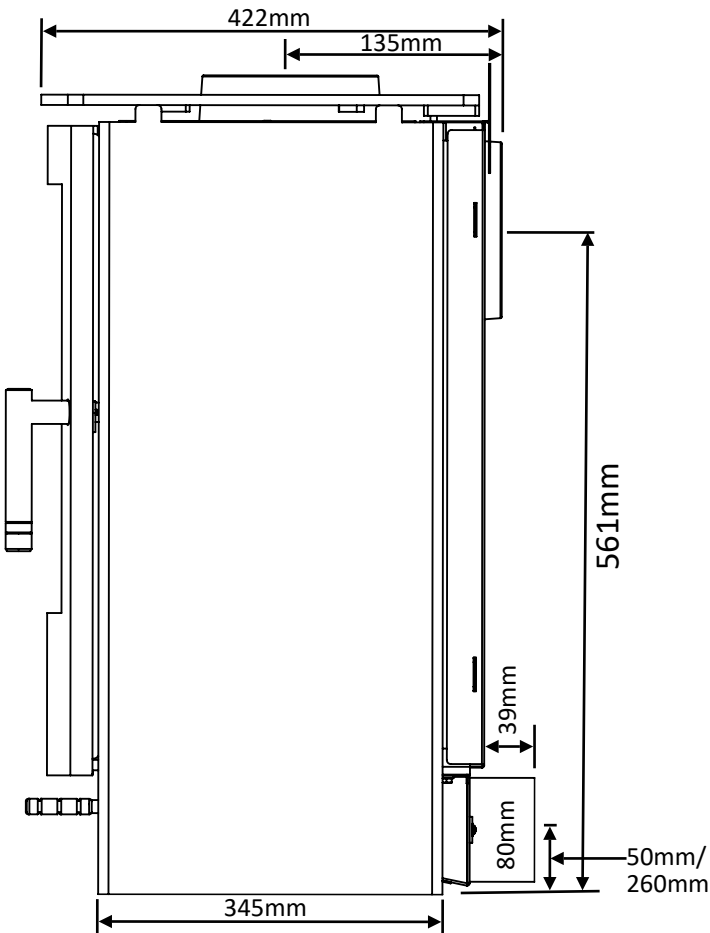
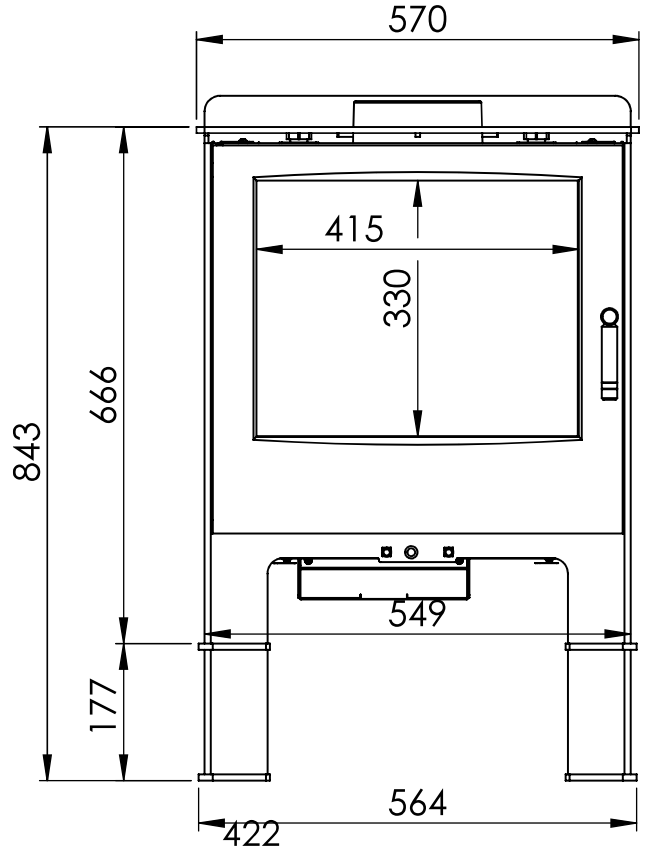
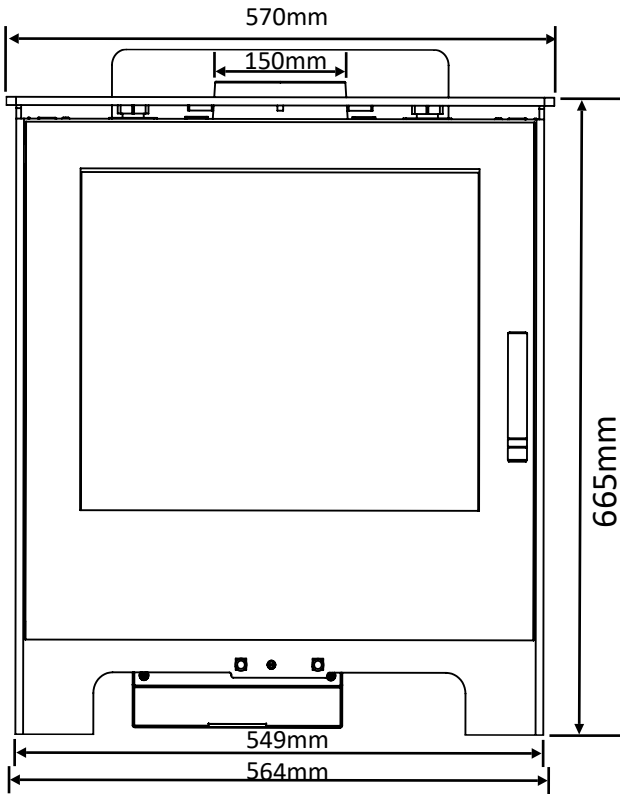
BRITISH DESIGN
SOLID
AND
ROBUST
SOMERSET

Dimensions - WOODLAND LARGE

Weight - 142kg

WOODLAND LOGSTORE

155kg



The **direct air intake spigot** (80mm diameter) to the rear of the stove is removable with a 2.5mm Allen key.

Contents



PAGE	ITEM
4-12	Installation instructions
13- 20	Operating Guidance
21- 22	How to?
23 - 25	Exploded parts diagrams

MENDIP STOVES WARRANTY

5 Year Extended Warranty

If you have purchased your stove from a Mendip Stoves registered retailer, then your stove will carry a 2 year warranty as standard. The 2 year warranty can be further extended to a total warranty period of 5 years by registering your Mendip Stove within one month of the purchase date or installation date, whichever is the latter. Accordingly, the start date for the warranty period is the date of purchase. During the registration process, the Registered Retailer details will be required for your Extended Warranty to be activated. Any product purchased outside of our Registered Retailer Network will carry a standard 12 month,



non-extendable warranty. It is a condition of the Extended Warranty that the installation complies with the relevant Building Regulations and is carried out by a suitably trained and qualified individual (HETAS in the UK or equivalent in other countries) with the certificate of installation and proof of purchase supplied. Full terms and conditions are detailed in the Warranty Statement on the Eurostove website www.eurostove.co.uk. In the event of any conflict of information on wording, the website wording shall prevail.

Important Note:

Should any problems be experienced with your product, claims must first be submitted to the Retailer where the appliance was purchased from who will offer immediate assistance or contact Eurostove on your behalf.

Register online today to activate warranty online. <http://www.mendipstoves.co.uk/SIT/StoveRegistration>

INSTALLATION MANUAL

This manual refers to the stoves listed above, which are tested in accordance with EN 13240.

Thank you for purchasing your new stove from Mendip Stoves. Please read this manual carefully to ensure that you get maximum enjoyment and performance from your new stove and to prevent any potential operational problems. Please note that “all local regulations, including those referring to national and European Standards, need to be complied with when installing this appliance”. For further information on installing and using fireplaces and wood burning stoves, please see the relevant building regulations.

These instructions cover the basic principals to ensure the satisfactory installation of your wood stove, although detail may need slight modification to suit particular local site conditions.

HEALTH AND SAFETY PRECAUTIONS

INFORMATION FOR THE USER, INSTALLER AND SERVICE ENGINEER

Special care must be taken when installing a stove such that the requirements of the Health & Safety at Work Act are met.

Handling

Adequate facilities must be available for loading, unloading and site handling.

Fire Cement

Some types of fire cement are caustic and should not be allowed to come into contact with the skin. In case of contact wash immediately with plenty of water.

PREPARATORY WORK AND SAFETY CHECKS

IMPORTANT WARNING

This stove must not be installed into a chimney that serves any other heating appliance. There must not be an extractor fan fitted in the same room as the stove because this can cause the stove to emit fumes into the room.

Asbestos

This stove contains no asbestos. If there is a possibility of disturbing any asbestos in the course of installation then please seek specialist guidance and use appropriate protective equipment.

Metal Parts

When installing or servicing this stove care should be taken to avoid the possibility of personal injury.

CO Alarms:-

Building regulations require that whenever a new or replacement fixed solid fuel or wood/biomass appliance is installed in a dwelling a carbon monoxide alarm must be fitted in the same room as the appliance. Further guidance on the installation of the carbon monoxide alarm is available in BS EN 50292:2002 and from the alarm manufacturer's instructions.

Provision of an alarm must not be considered a substitute for either installing the appliance correctly or ensuring regular servicing and maintenance of the appliance and chimney system.

Stove paint Aerosols

Paint aerosols are flammable and therefore dangerous to use around a lit stove. Be sure to allow aerosols spray paints to dry and ventilate the room well before lighting the stove. The use of any aerosol around lit stove is dangerous and care must be taken in handling aerosols.

Fireguards: The use a fireguard to BS 8423:2010 in the presence of children, aged and/or infirm persons is essential for their safety, even when the stove is not in use.

The glass on the stove is ceramic glass and able to withstand very high temperatures however it is not toughened and a hard impact could cause the glass to break. Consequently, a fire guard should always be used to protect young children and vulnerable people at all times . Whether the fire is lit or not in use.

IMPORTANT:

These instructions cover the basic principles to ensure the satisfactory installation of the M e n d i p Stoves:- Woodland Large models, although details may need slight modification to suit a particular local site. In all cases the installation must comply with current Building Regulations, Local Authority Byelaws and other specifications or regulations as they affect the installation of the stove. It should be noted that the Building Regulations requirements may be met by adopting the relevant recommendations given in British Standards BS 8303, BS EN 15287 as an alternative means to achieve an equivalent level of performance to that obtained following the guidance given in Approved Document J.

FLUE & CHIMNEY CONNECTION TO STOVE

The outlet from the chimney should be above the roof of the building in accordance with the provisions of Building Regulations Approved Document J. If installation is into an existing chimney then it must be sound and have no cracks or other faults which might allow fumes into the house. Older properties, especially, may have chimney faults or the cross section may be too large.

Mendip Stoves recommend the use of a solid fuel flue lining system for all installations into existing chimneys. All chimney systems must be used in accordance with Building Regulations Approved Document J.

If an existing chimney is used the chimney must be clear of obstruction and be swept clean immediately before installation of the stove. The chimney should be tested to confirm it will provide the correct chimney pressure for the stove. If the stove is fitted in place of an open fire the chimney should be swept one month after installation to clear any soot falls which may have occurred due to the difference in combustion between the stove and the open fire. If there is no existing chimney then either a prefabricated block chimney in accordance with Building regulations Approved Document J or a twin walled insulated stainless steel flue to BS 1856-1 . These chimneys must be fitted in accordance with the manufacturer's instructions and Building regulations. A single wall metal flue pipe is suitable for connecting the stove to the chimney but is not suitable for use for the complete chimney. The connecting flue pipe must have a minimum diameter of 150 mm and its dimension should be not less than the size of the outlet socket of the stove. Registered smoke exempt models with a 125mm collar burning wood only can be installed on a flue of 125mm throughout. Any bend in the chimney or connecting flue pipe should not exceed 45°. 90°. Bends should not be used other than within 150mm of the stove rear flue outlet.

Chimney Connection

In order for the stove to perform satisfactorily the chimney height must be sufficient to ensure an adequate draught to clear the products of combustion and prevent smoke problems into the room.

Tested Gas flow rates flue gas temperatures	Flue gas flow rate wood	Test flue gas temperature wood	@ pascals of pressure
The Woodland Large	7.1g/sec	285°C	12 pa

A chimney height of not less than 4.5 metres measured vertically from the outlet of the stove to the top of the chimney should be satisfactory. Alternatively the calculation procedure given in BS5854:1980 may be used as the basis for deciding whether a particular chimney design will provide sufficient draught.

If it is found that there is excessive draught in the chimney then either an adjustable flue damper or alternatively a draught stabiliser should be fitted. The adjustable flue damper should not close off the flue entirely, but should in its closed position leave a minimum continuous opening free area of at least 20 % of the total cross sectional area of the flue or flue pipe. Adequate provision (e.g. easily accessible soot door or doors) must be provided for sweeping the chimney and connecting flue pipe.

Your appliance needs to be maintained routinely and the throat plate/baffle should be cleaned regularly (monthly). The flue pipe can be cleaned using a flexible brush. Only use a dry cloth on external surfaces. Over time the glass may become dirty and it can be cleaned with a damp cloth and polished off with a dry cloth. If the stove has not been used for some time, the flue should be checked for blockages before use. Do not modify the appliance. Only use spares authorised by the manufacturer.

STOVE PERFORMANCE & TESTING

Mendip Stoves, The Woodland models are tested in accordance with EN 13240.

	Nominal Output Wood Fuel	Efficiency	CO@13% O ₂	Suitable for use in Smoke Control Zones
Woodland Large	7.0 kW	76.3%	0.10	Yes / SE model

Weight & Nominal Heat Output for Wood

	Log Length	Wood Reload	Weight Wood Load
Woodland Large	35cm	0.77hr	1.5. kg

THE MINIMUM DISTANCE TO COMBUSTIBLE MATERIALS

Combustible materials should not be located where the heat dissipation through the walls of fireplaces or flues could ignite it. Therefore when installing the stove in the presence of combustible materials, due account must be taken of the guidance on the separation of combustible material given in Building Regulations Approved Document J and also in these stove instructions. We recommend the use of calcium silicate board with a protection value of A1 in a fireplace recess or behind a stove fitted in a corner. The minimum distances to flammable materials are specified on the EN 13240 plate on the back of the stove.

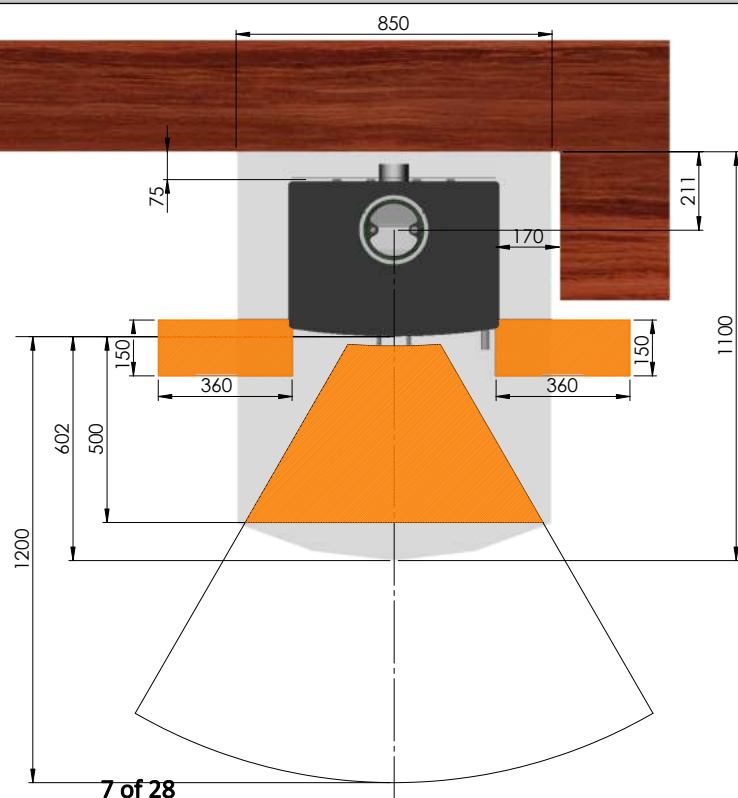
When installing the stove at least 75 mm from a combustible wall behind the stove, you must use the additional rear convection panel supplied with this stove. This slots over the rear convection panel providing additional radiant protection from the flue collar. **A twin wall insulated flue should be fitted flush to the flue collar for this type of installation.**

Stove Model	Minimum Distance to Combustible Materials			Suitable for 12mm non-combustible floor plate
	REAR	SIDES	FRONT	
Woodland Large	75mm	170mm	500mm	YES
Woodland Large Convection	75mm	100mm	500mm	YES

PLEASE NOTE THAT A MINIMUM DISTANCE, AS SHOWN IN THE FOLLOWING DIAGRAMS OF THE WOODLAND LARGE, TO SOFT FURNISHINGS SHOULD ALWAYS BE MAINTAINED

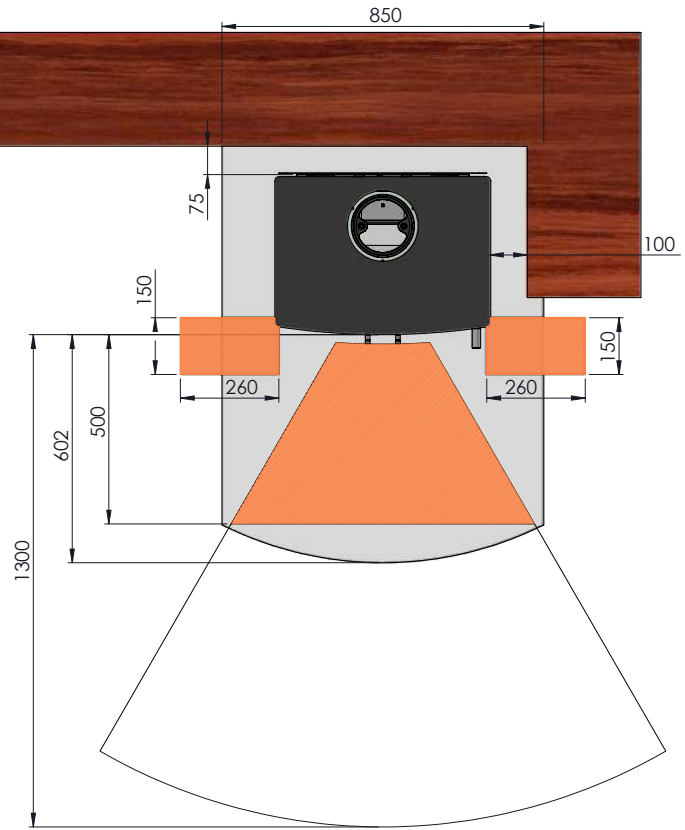
DIAGRAMS TO ILLUSTRATE THE MINIMUM DISTANCE TO COMBUSTIBLE MATERIALS

THE WOODLAND LARGE



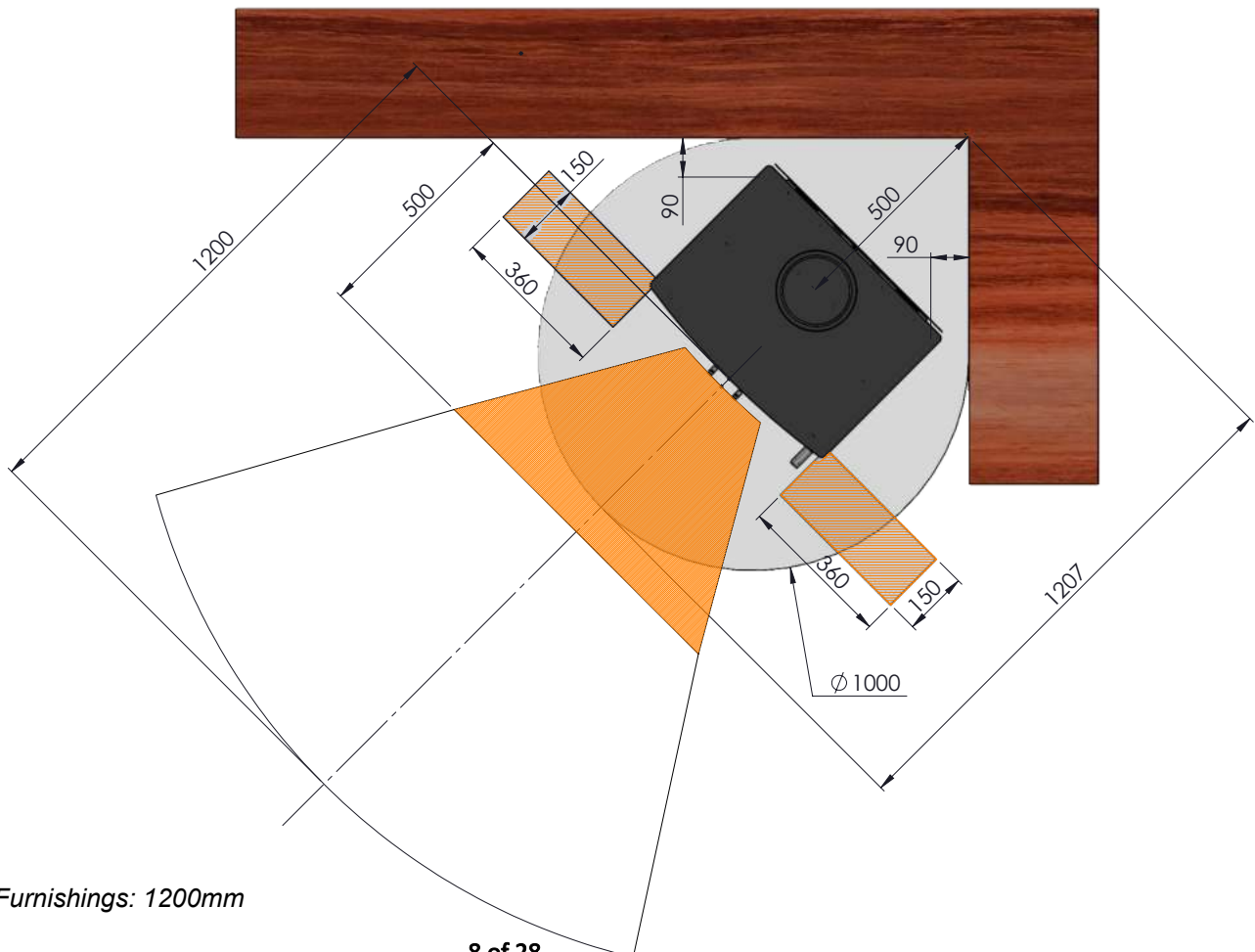
Distance to Soft Furnishings: 1200mm

THE WOODLAND LARGE CONVECTION



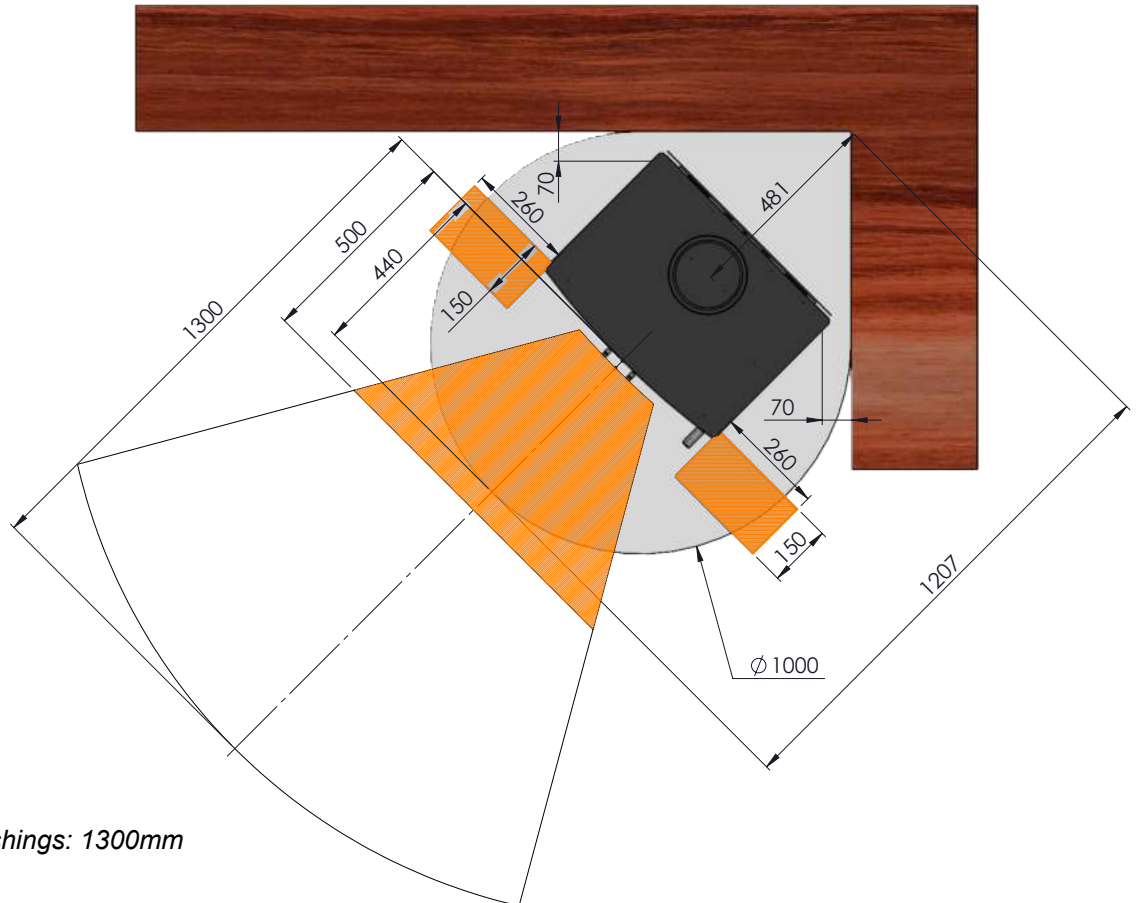
Distance to Soft Furnishings: 1300mm

THE WOODLAND LARGE IN A CORNER POSITION



Distance to Soft Furnishings: 1200mm

INSTALLING THE WOODLAND LARGE CONVECTION IN A CORNER POSITION



Distance to Soft Furnishings: 1300mm

MINIMUM DISTANCE TO NON-COMBUSTIBLE MATERIALS

The stove can be recessed in a suitable sized non - combustible fireplace but a **permanent free air gap of at least 50mm** must be left around the sides, the top and the back of the stove. This is to facilitate a reasonable heat output and allows access to the stove for removal and maintenance. **A clearance of 100mm will give a better heat output.**

All non - combustible walls closer than 100mm to the stove should be at least 75mm thick. For practical reasons the back wall of the fireplace recess and the hearth should ideally be made of a non-combustible material. When installing your stove in a non - combustible chamber, combustible materials should not be located where the heat dissipating through the walls of fireplaces or flues could ignite it. Therefore when installing the stove in the presence of combustible materials due account must be taken of the guidance on the separation of combustible material given in Building regulations Approved Document J and also in these stove instructions. The minimum distances to flammable materials are specified on the EN 13240 plate on the back of the stove. We recommend the use of calcium silicate board with a protection value of A1 in a fireplace recess or behind a stove fitted in a corner. To ensure that the stove has sufficient air flow available to it during operation, please allow at least 40mm of clearance from the back of the air intake to the rear wall. This means that if you are installing your stove between 50mm and 100mm away from a non - combustible wall, it may be necessary to remove the intake spigot.

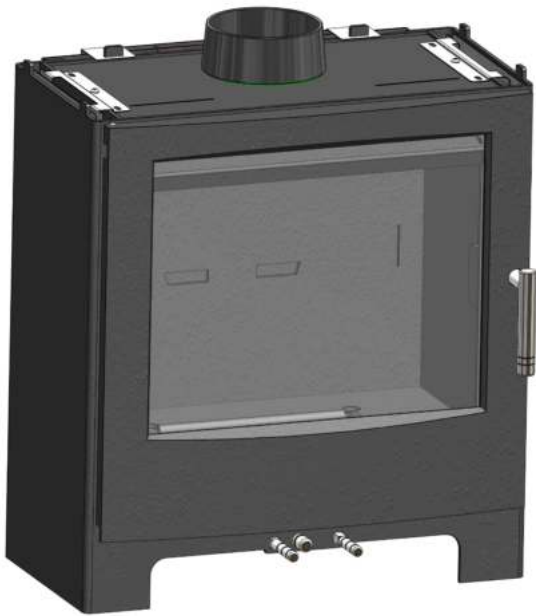
HEARTH

The hearth should be able to accommodate the weight of the stove and its chimney if the chimney is not independently supported. The Woodland stoves have been tested and are suitable to be installed on a 12 mm non combustible plate, such as 12 mm glass plates. Installation of all hearths should comply in size and construction so that they are in accordance with the provisions of the current Building regulations Approved Document J.

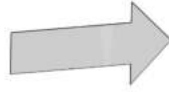
The clearance distances to combustible material beneath, surrounding or on the hearth and walls adjacent to the hearth should comply with the guidance on the separation combustible material given in Building regulations Approved Document J and also in these stove instructions.

If the stove is to be installed on a wooden floor, it must be covered with a non-combustible material at least **12 mm thick**, in accordance with Building regulations Approved Document J, to a distance of **30 cm in front of the stove** and **15 cm to each side** measuring from the door of the combustion chamber.

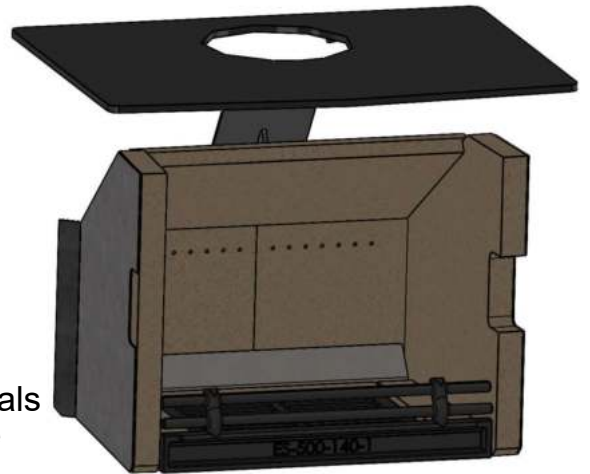
HOW TO FIT A LOGSTORE LEGS- Loxton -Churchill - Woodland



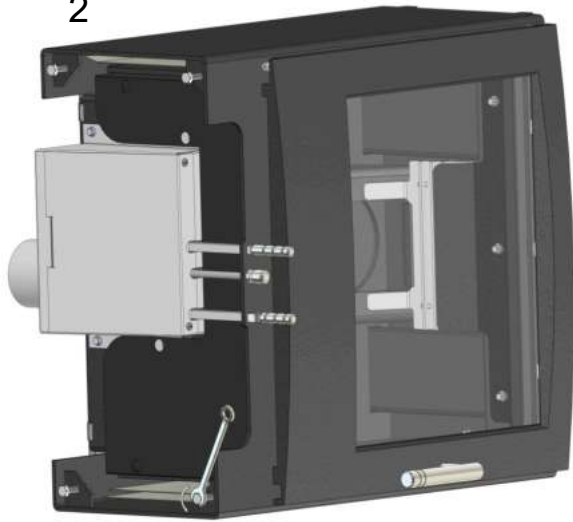
1



Remove internals and top plate

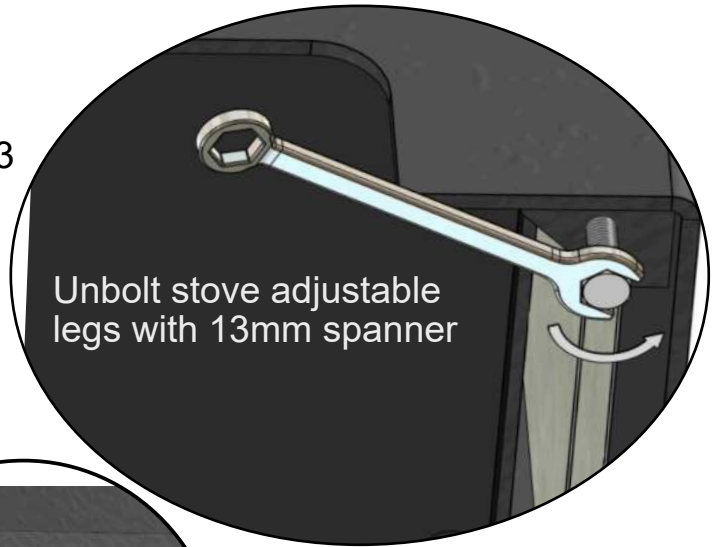


2

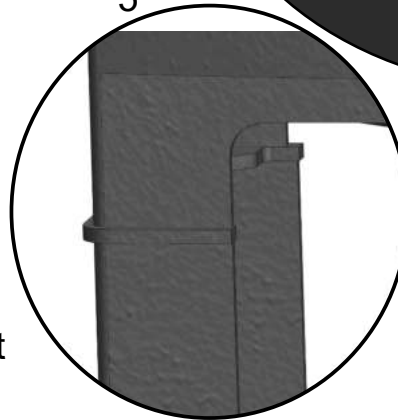


3

Unbolt stove adjustable legs with 13mm spanner



5

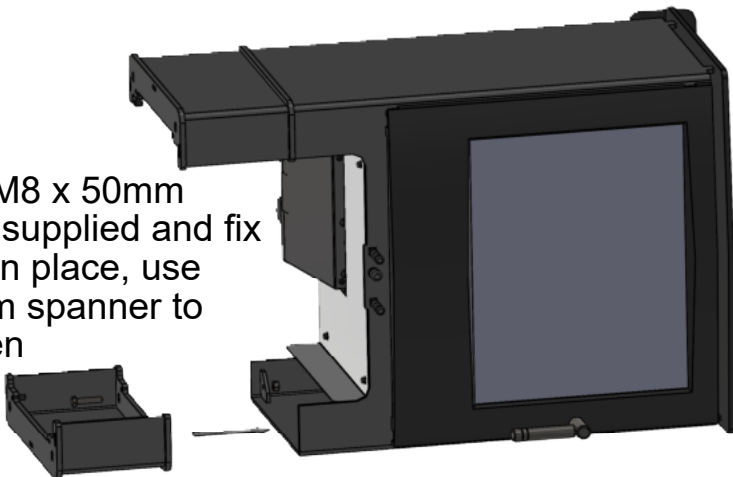


Ensure leg is aligned with body before final tighten

Place stove on side to allow leg installation, protect paint with a blanket

4

Use M8 x 50mm bolts supplied and fix legs in place, use 13mm spanner to tighten

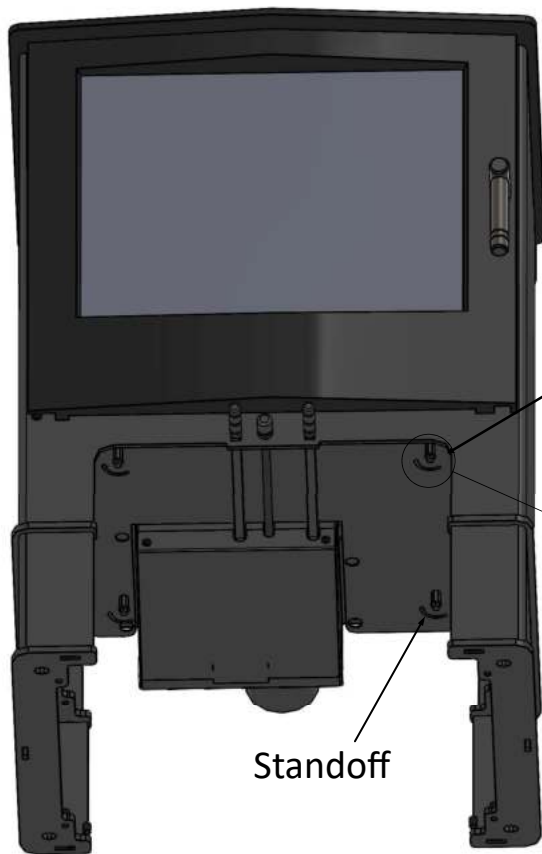


6



Stand stove replace internals and top plate

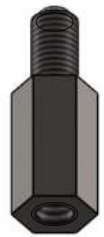
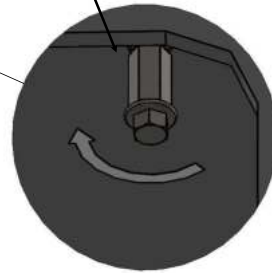
HOW TO FIT LOGSTORE HEAT SHIELD



1. Place stove on its side, lift off top plate, remove loose internal parts (brick set, log retainer, grate metal parts)

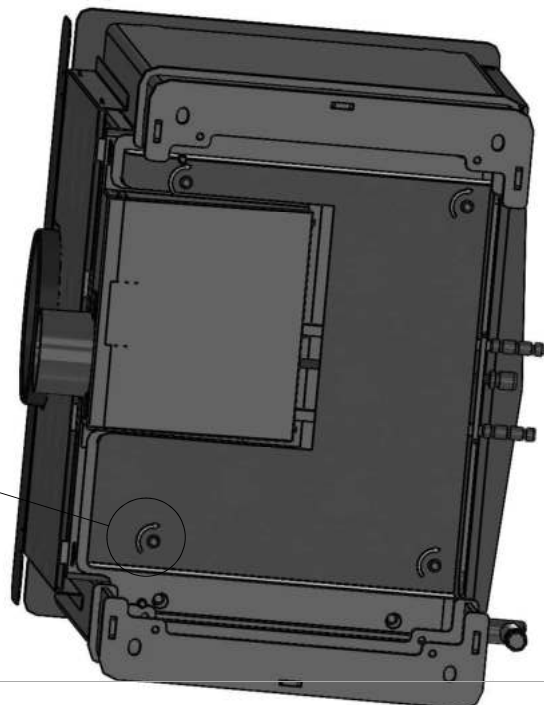
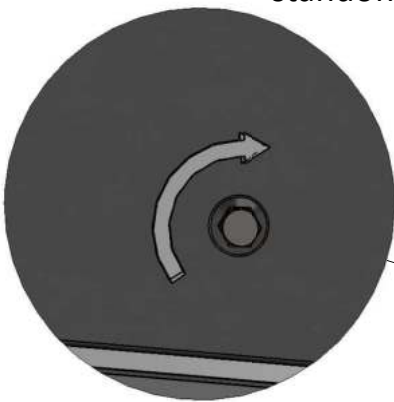
Screw in 4 x 15mm standoffs into base convection panel

Standoff



2. Place additional log store convector panel in place

Screw in 4 x 5mm x 12mm hex bolts into standoffs fixing



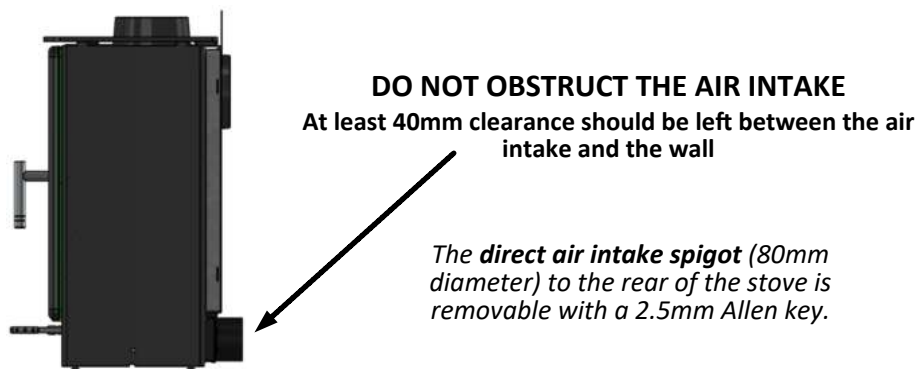
COMBUSTION AIR & PERMANENT AIR VENT

In order for the stove to perform efficiently and safely there should be an adequate permanent air supply into the room in which the stove is installed to provide combustion air. This is particularly necessary if the room is double-glazed or a flue draught stabiliser is operating in the same room as the appliance. The provision of air supply to the stove must be in accordance with current Building regulations Approved Document J. An opening window is not appropriate for this purpose.

Air inlets must be positioned in such a way that they cannot be blocked. An air inlet may be a vent (the vent must be open and the capacity for the vent sufficient when the stove is lit) .

Woodland models take all combustion air (primary, secondary & tertiary) from a single 80mm port at the bottom rear of the stove. With the door closed the air port supplies all combustion air for the appliance. This port can be connected to the outside via an 80mm pipe so the appliance does not draw combustion air from the room. However as this stove needs the door to be ajar when lighting and combustion air is taken from the room when reloading. Mendip stoves recommends the use of an additional air vent as laid out in document J .

The stove requires a permanent air vent to the room . This is to provide an adequate air supply in order for the stove to operate safely and efficiently. In accordance with current Building Regulations the installer may fit a permanent air supply vent into the room in which the stove is installed to provide combustion air. This air vent should not under any circumstances be shut off or sealed.



COMBUSTION CHAMBERS

Mendip Stoves are fitted internally with vermiculite heat deflection panels and baffles, these panels are designed to ensure the maximum efficiency and are an integral part of the clean burn process of the stove. These baffles should not be removed other than for cleaning the stove. Any defective panels should be replaced, (small hairline cracks do not need replacement) however can develop during long term use to a larger crack, if this passes through the vermiculite to the stove body then the panel must be replaced. When refuelling your stove place the wood fuel into the chamber (wearing a glove), impact from logs can cause the heat deflection panel to crack.

TOP TO REAR CHIMNEY COLLAR EXCHANGE

The Woodland is built with a top flue configuration. This can be changed to a rear flue connection with the following steps:-

- 1) Remove top plate by lifting off. Its heavy so take precautions.
- 2) Remove top collar by undoing 2 bolts; retain bolts and nuts.
- 3) Lift off rear convection panels
- 4) Break the hold points on the 2 rear convector panels to reveal the U shaped access holes for flue to pass through.
- 5) Replace the convection panels back into position on the rear of the stove fitting over the 2 lugs at the top and sliding into the slots at the bottom.
- 6) Unbolt 2 bolts holding the rear cover plate in place, ensuring you hold onto the nuts at the rear.
- 7) Place Cast iron collar on rear position and bolt into place (ensure collar seal is in good condition).
- 8) Take cover plate removed from the rear position and place on the top position and bolt to secure.
- 9) In the ash pan is a 8mm decorative cover plate, place the convection top plate back in position, making sure it fits into the lugs at the rear of the stove, place the decorative cover plate into the hole in the top plate.
- 10) Job complete

COMMISSIONING AND HANDOVER

Ensure all loose parts (bricks and grates) are fitted in accordance with the instructions given in the instruction booklet. On completion of the installation, allow a suitable period of time for any fire cement/silicon and mortar to cure. A small fire may be lit to check that smoke and fumes are taken from the stove up the chimney and emitted safely into the atmosphere.

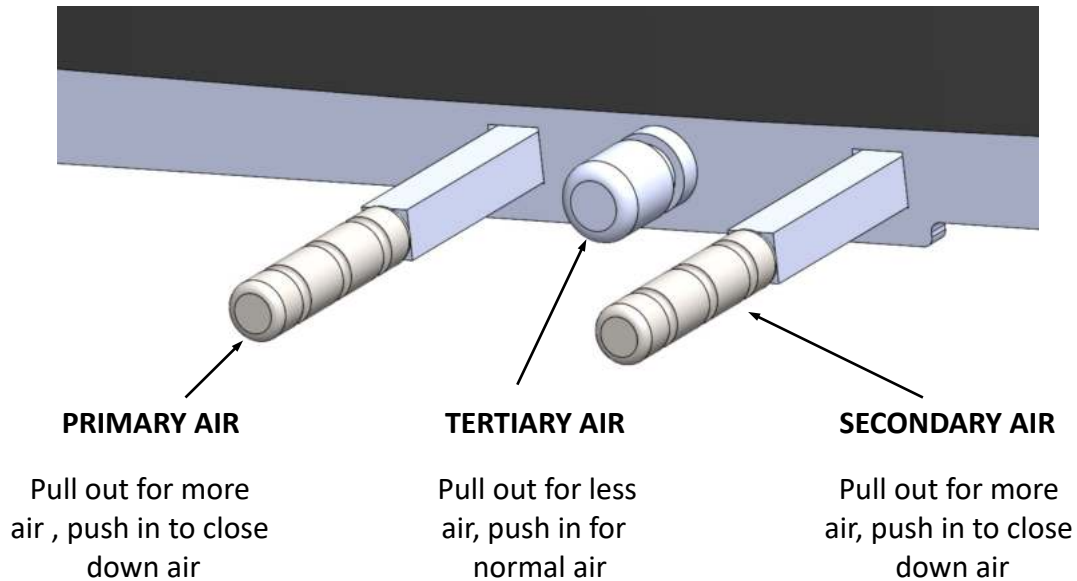
Do not run at full output for at least 24 hours after this appliance has been installed.

On completion of the installation and commissioning, ensure that the operating instructions for the stove are left with the customer. Ensure you advise the customer on the correct use of the appliance with the fuels likely to be used in the stove and notify them to use only the recommended fuels for the stove. Advise the user what to do should smoke or fumes be emitted from the stove.

The customer should be warned to use a fireguard to BS 8423:2010 in the presence of children, aged and/or infirm persons.

OPERATING YOUR STOVE - WOODLAND DUAL CONTROL

THE WOODLAND STOVE HAS THREE AIR CONTROL LEVERS TO HELP REGULATE YOUR STOVE.



Air regulation: The three control levers perform differing tasks in regulating the combustion air on your appliance:

Primary air: This is generally used when starting the fire or re-igniting the fire. Primary air comes from below the grate.

Secondary air: This is commonly known as air wash. Preheated air flows in a continuous thin stream down the glass and into the very heart of the wood fire. When burning wood this should always be open to enable cleaner combustion.

Tertiary Air: This is injected into the rear of the fire chamber above the logs, enabling re-combustion of already hot gases and improving the quality of combustion.

If the stove is to be operated in a Smoke Control Area then this control MUST remain pushed in at all times.

LIGHTING YOUR STOVE FOR THE FIRST TIME

Before lighting your stove for first time, make sure you have read this manual fully and acquainted yourself with the controls of this appliance.

Ensure that you have allowed sufficient time for the heat resistant sealant to cure.

The heat-resistant paint on your stove will cure and harden the first time you light your appliance.

The curing process produces a good deal of smoke and odour. It is therefore important that the first time you light your stove, the room should be well ventilated.

During the process **it is important to open and close the stove door periodically** (every 30mins) during the first couple of firings, therefore preventing the door seal cord around the door from sticking and coming away from the door. Once the heat-resistant paint has hardened the smell will disappear.

Your stove is NOT designed to be used with the door open. The stove door must be kept closed except when lighting the stove, adding firewood or removing ash in order to prevent flue gases from escaping.

Use of Fire lighters

Quality Firelighters should be used when lighting your stove. **Never use methylated spirits, petrol or other flammable liquids.** Lighting your stove with firelighters will be more reliable and easier than using paper. Lighting your fire with paper results in excess smoke, more ash and possible blackening of the glass.

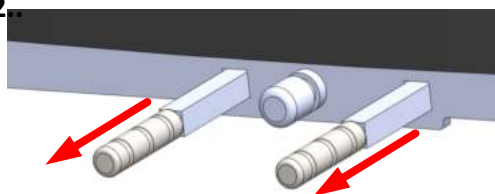
HOW TO LIGHT YOUR WOODBURNING STOVE

1.



Arrange your Kindling & Logs as shown

2.



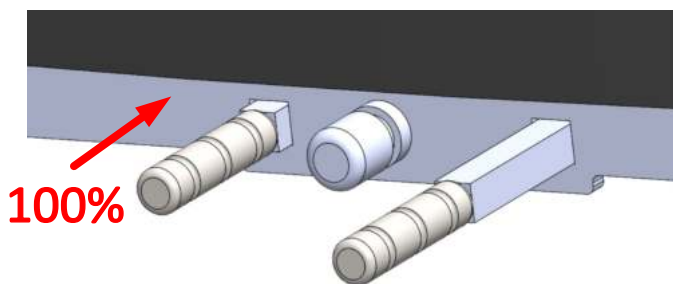
Full Primary and Secondary Air

3.



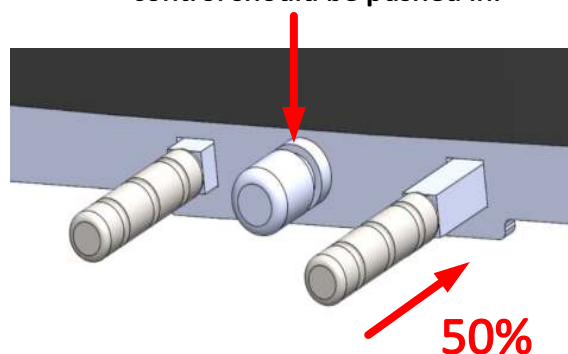
Door Ajar to Aid Start-up

4.



Push in Primary Air Lever Fully

5.



Reduced Secondary Air Supply

Note: If the chimney is externally fitted or the stove has been installed on a larger diameter clay chimney liner then on cold days it may be necessary to warm the flue using firelighters prior to lighting with wood.

1. Place two small dry split logs (¼ split) on the fire bed. Kindling stacked as in the picture which allows combustion air to flow freely and will aid ignition. On top of the kindling place two or more non toxic firelighters.

2. Open fully the Primary and Secondary air by pulling out the levers. This provides the stove with a mix of primary and secondary air to help establish the fire.

3. Light the firelighters and push the door to the closed position. Place the latch in 1st position so the door is open 2 mm. (see picture) This provides additional combustion air for the start up and reduces condensation on the door glass.

4. Once the flames from the logs are fully established (this can take up to 10 minutes) the door can now be closed. Slide the Primary air inwards to the closed position. If the stove flames begin to falter and generate smoke in the chamber, pull out the primary lever again to re-establish the fire. It may be necessary to unlatch the door again until the fire is fully established.

5. Once the fire bed is established close the primary air and slide the secondary in by 50%. For the stove to burn cleanly plenty of secondary air is needed, do not be tempted to shut the fire down too early as this may cause it to smoke. At nominal heat output, expect to refuel your stove approximately once an hour. Check load weights for your model on the table on page 7.

Use the glove when operating the air controls and door.

For optimum combustion efficiency the tertiary air control should be pushed in.

The stove will get very hot during use, therefore due care must be exercised. Please use the glove when operating the air controls, door and ash pan.

WOOD FUEL

Good quality wood is the most important factor in your stove working efficiently and cleanly. Always use dry split hardwood firewood (moisture content of 20% or less). The dryness of the firewood plays an important role because the use of wet wood results in poor fuel economy and may cause a tarry, sooty film on the internals of the stove.

Newly cut wood contains 60–70% water, making it totally unsuitable for use as firewood; it should be stacked and air dried under cover for two years before being used as firewood.

Do not burn liquid fuels, drift wood, finished wood, sawn wood, pallet wood, chipboard/plywood, varnished wood or plastic coated wood, wood treated with preservatives, or household waste.

WARNING NOTE

If properly installed, operated and maintained, this stove will not emit fumes into the dwelling. Occasional fumes from de-ashing and re-fuelling may occur. However, persistent fume emission is potentially dangerous and must not be tolerated. If fume emission does persist, then the following immediate action should be taken:-

- (a) Open doors and windows to ventilate the room and then leave the premises.
- (b) Let the fire go out.
- (c) Check for flue or chimney blockage and clean if required.
- (d) Do not attempt to relight the fire until the cause of the fume emission has been identified and corrected. If necessary seek expert advice.

The most common cause of fume emission is flue way or chimney blockage. For your own safety these must be kept clean at all times.

CO Alarm

Your installer should have fitted a CO alarm in the same room as the appliance. If the alarm sounds unexpectedly, follow the instructions given under "Warning Note" above.

Aerosols

Aerosols are flammable and therefore dangerous to use around a lit stove. Do not use aerosol sprays near your lit stove. The use of any aerosol is dangerous and care must be taken in handling aerosols.

OPERATING YOUR STOVE

Suitable fuels:- Your stove is tested to burn wood. Wood briquettes can also be burnt but special notice should be taken of the fuel weight. For a full list of suitable fuels, check with the official solid fuels approvals body, HETAS or Solid Fuel Association. Do not overload the stove as this can cause excessive heat and damage the stove (see table on page 7).

ALWAYS KEEP THE FUEL LOAD BELOW THE TERTIARY PORTS AT THE REAR OF STOVE. Only use fuels approved for use on wood stoves.

Do not burn liquid fuels, drift wood, finished wood, sawn wood, pallet wood, chipboard/plywood, varnished wood or plastic coated wood, wood treated with preservatives, or any household waste.

DO NOT EXCEED SPECIFIED FUEL WEIGHTS (See pg.7).

DO NOT RUN AT FULL OUTPUT FOR EXTENDED PERIODS OF TIME.

DO NOT BURN HOUSE COAL. DO NOT BURN HOUSEHOLD WASTE.

THIS APPLIANCE IS NOT AN INCINERATOR.

MENDIP STOVES RECOMMEND THE USE OF A FLUE THERMOSTAT TO CHECK YOUR STOVE IS NOT OVERHEATING. PLACE THE FLUE THERMOSTAT DIRECTLY ABOVE THE COLLAR OF STOVE AND REFER TO THE TEMPERATURE GAUGE ON PAGE 6.

SMOKELESS COAL, HOUSE COAL AND PETROLEUM COKE ARE NOT SUITABLE FOR USE ON THIS STOVE; ITS USE WILL INVALIDATE THE GUARANTEE.

RE-FUELLING WHEN BURNING WOOD

Adding fuel to your stove when you only have glowing embers and the flames have died down is the cleanest way to refuel your stove.

1. Before refuelling, pull open both the Primary and Secondary controls fully.
2. Unlatch the door to equalise the pressure inside the stove with that of the room.
3. Then, open the door gently.
4. If it is necessary, use a poker to create a level bed before adding a piece of wood below the level of the tertiary air ports (please check weight table page 7).
5. Now, close the door.
6. Once the flames are fully established, close the primary air fully and close the secondary air to the nominal position halfway in (50% air supply).

For optimum combustion efficiency the tertiary air control should be pushed in.

Please regard these instructions as guidelines because each installation will be slightly different. Experience will determine the settings that produce the best results. To prevent overheating your appliance, we recommend that you use a flue thermostat placed on a non insulated section of pipe directly above the collar of the stove.

The efficient operating temperature range is between 180°C and 250°C

These stoves are not designed to run overnight or for long periods unattended.

INCOMPLETE COMBUSTION

Incomplete combustion may lead to a build-up of hard, shiny soot on the inside of your stove and glass. It is generally the result of an insufficient air supply to the combustion chamber. If you find that this build-up is occurring to your Mendip Stove, you should:

1. Increase the amount of secondary air used when running the stove and ensure the tertiary air control is pushed in fully.
2. Check that the fuel you use is suitable and dry (less than 20% moisture content).
3. Check that your flue system (chimney) is producing sufficient draught.

It is important to check the draft conditions before lighting your stove. This may be done, for instance, by crumpling a piece of newspaper, placing it in the combustion chamber and lighting it. The draft conditions are good if the smoke is drawn away through the chimney.

TROUBLE SHOOTING

1. Fire Will Not Burn - check

- a) the air inlet is not obstructed in any way,
- b) that the chimney and flue ways are clear,
- c) that a suitable fuel is being used,
- d) that there is an adequate air supply into the room,
- e) that an extractor fan is not fitted in the same room as the fire.

2. Fire Blazing Out Of Control - check

- a) the doors are tightly closed,
- b) the air controls are turned down to the minimum setting,
- c) the flue damper is closed (if fitted),
- d) a suitable fuel is being used,
- e) the door seals are in good condition,
- f) the chimney draw may be too strong
- g) check the ash pan seal and
- h) check for ash below the ash pan causing the pan to sit incorrectly and clean it out.

3. Soot forms on the window

- a) The firewood may be too wet
- b) the intake of secondary air may be insufficient
- c) the fire is not hot enough

4. The stove fails to heat fully

- a) The firewood may be too wet
- b) the intake of secondary air may be insufficient

5. Smoke or odour

- a) weak chimney draw
- b) check for blockages in the flue pipe/chimney
- c) check the height of the chimney relative to the surroundings

6. Soot in the chimney

- a) The firewood may be too wet
- b) intake of secondary air may be insufficient

BURNING WOOD IN A SMOKE CONTROL AREA

You must purchase a smoke exempt version of a Mendip Stove, the tertiary air control should be pushed in fully at all times to comply with regulations. Any alteration to this setting will invalidate the stoves compliance for smoke control areas.

The Clean Air Act 1993 and Smoke Control Areas

Under the Clean Air Act, local authorities may declare the whole or part of the district of the authority to be a smoke control area. It is an offence to emit smoke from a chimney of a building, from a furnace or from any fixed boiler if located in a designated smoke control area. It is also an offence to acquire an "unauthorised fuel" for use within a smoke control area unless it is used in an "exempt" appliance ("exempted" from the controls which generally apply in the smoke control area).

In England appliances are exempted by publication on a list by the Secretary of State in accordance with changes made to sections 20 and 21 of the Clean Air Act 1993 by section 15 of the Deregulation Act 2015. Similarly in Scotland appliances are exempted by publication on a list by Scottish Ministers under section 50 of the Regulatory Reform (Scotland) Act 2014. In Wales and Northern Ireland these are authorised by regulations made by Welsh Ministers and by the Department of the Environment respectively.

Further informal on the requirements of the Clean Air Act can be found here:

<https://www.gov.uk/smoke-control-area-rules>

Your local authority is responsible for implementing the Clean Air Act 1993 including designation and supervision of smoke control areas and you can contact them for details of Clean Air Act requirements.

The Woodland Large stove has been recommended as suitable for use in smoke control areas when burning wood logs. The appliances can also burn authorised fuels in smoke control areas. More information regarding authorised fuels can be found at <http://smokecontrol.defra.gov.uk/fuels.php>.

The SE appliances include a modified air control to prevent closure of the secondary air control beyond 9mm open, alterations should not be attempted. Mendip Stoves smoke control stoves should not be burnt with the door left open. The refuelling procedure : Allow the newly charged fuel to burn with the secondary air control set at maximum for up 3 to 4 minutes. After this period, with flames from the logs fully established, close the secondary air supply to the low output setting. When operating at high output (secondary air set fully open) the new refuel charge does not require any boost air to establish combustion.

Refuelling on to a low fire bed

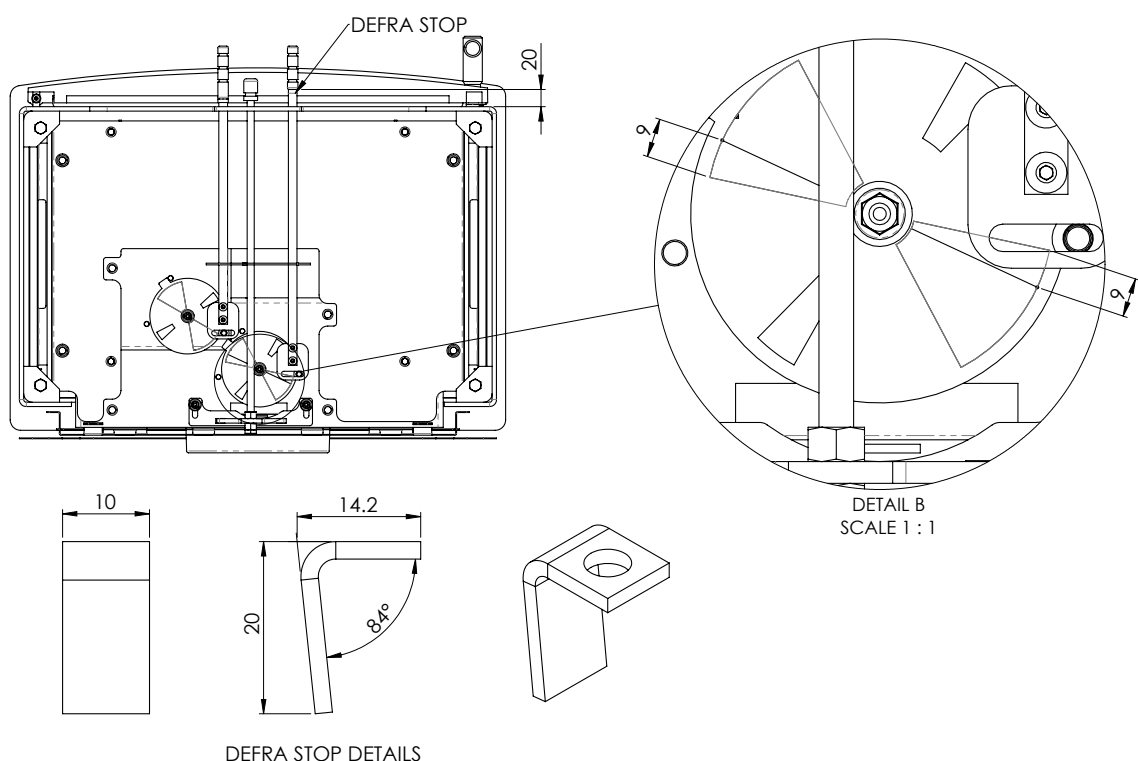
If there is insufficient burning material in the fire bed to light a new fuel charge, excessive smoke emission can occur. Refuelling must be carried out onto a sufficient quantity of glowing embers and ash that the new fuel charge will ignite in a reasonable period. If there are too few embers in the fire bed, add suitable kindling to prevent excessive smoke.

Fuel Overloading

The maximum amount of fuel specified in this manual should not be exceeded, overloading can cause excess smoke.

Air controls & doors left open

Operation with the air controls fully open can cause excess smoke. The appliance must not be operated with air controls, appliance dampeners or the door left open except as directed in the instructions.



NOTE: Ticking Noises from the Stove

A stove can make a ticking noise when in use which is caused by the steel panels as they expand and contract with the heat during the burn cycle. Convection stoves are more likely to make a ticking noise as they have more panels and the panels will naturally vary in temperature to one another.

For example, a Mendip logstore stove is made with over 147 individual parts. This number of parts includes the convection panels that allow the stove to achieve low distances to combustible walls. The panels vary in their thickness and depending how warm the panels are, expansion levels will differ. This is a natural process and should not be a concern.

MAINTENANCE

Mendip stoves recommends that your model needs to have the ash removed from the stove at regular intervals (weekly if used daily). Allowing the ash pan to over flow can impede the function of the stove and can cause possible damage to the stove grate and ash pan. To remove the ash pan, use the heat protecting glove provided. Lift and pull the ash pan out of the firebox chamber. Take care to support the ash pan during movement. Make sure the stove is completely cold before cleaning out the ash (embers can remain hot for over 24 hours). Ash must be stored in a non-combustible container and must not be mixed with other combustible waste.

Annual service

The stove should be serviced by a registered dealer once a year. The stove, the flue pipe connection and the chimney should be checked regularly by a qualified engineer. The chimney should also be checked for blockages before relighting the stove if it has not been used for an extended period of time. Insulating fire bricks should be checked for wear and replaced if necessary. Door and ashpan rope seals should be changed annually. Glass clamps and glass should be checked making sure the glass is correctly positioned.

To clean the inside of the stove, remove all ash, soot and tar residue from the combustion chamber. Remove the insulated chamber panels and baffle. Dirt and soot will collect behind it and this must be cleaned out. The paint can wear thin in exposed places due to overheating. This, and other lacquer damage, may be repaired using Mendip paint spray available from your Mendip dealer. To clean the outside of the stove use a dry cloth.

Your stove should be serviced annually by a registered dealer as a condition of the extended warranty of the stove, failure to maintain a service record will invalidate the extended warranty on your stove.

Prolonged non use (summer)

If the stove is to be left unused for a prolonged period of time (e.g. over the summer) then it should be given a thorough clean to remove ash and un-burnt fuel residues. To enable a good flow of air through the appliance and to reduce condensation and subsequent damage, leave the air controls fully open.

It is important that the flue connection, any appliance baffles or throat plates and the chimney are swept prior to lighting up after a prolonged shutdown period.

Spare parts & unauthorised alterations

Only the manufacturer's own components, or replacement parts recommended and approved by Mendip stoves, should be used for appliance servicing and repair. Any unauthorised alterations will invalidate the stove warranty and compliance with EN13240.

SWEEPING YOUR CHIMNEY & CHIMNEY FIRES

Ensure that your appliance, flue ways and chimney are swept regularly. This can be incorporated in the service regime of your appliance. Regular sweeping is essential and means at least once a year for smokeless fuels and a minimum of twice a year for wood. If a throat plate is incorporated, it is essential that the throat plate is removed and cleaned above and all ash and debris should be removed. Ensure there is adequate access to cleaning doors where it is not possible to sweep the chimney through the appliance.

Where a chimney has served an open fire installation previously, it is possible that the higher flue gas temperature from a closed appliance may loosen deposits that were previously firmly adhered, with the consequent risk of flue blockage. It is therefore recommended that the chimney be swept a second time within a month of regular use after installation of the stove.

Chimney Fires

If the chimney is thoroughly and regularly swept, chimney fires should not occur. However, if a chimney fire does occur turn the air control setting to the minimum, and tightly close the doors of the stove. This should cause the chimney fire to go out and in which case the control should be kept at the minimum setting until the fire in the stove has gone out. The chimney and flue ways should then be cleaned. If the chimney fire does not go out when the above action is taken, then the fire brigade should be called immediately.

After a chimney fire the chimney should be carefully examined for any damage. Expert advice should be sought if necessary.

STOVE PARTS, COMBUSTION CHAMBER, ASSEMBLY

This section shows the parts contained in your stove, each stove has over 80 spare-parts and, each part is detailed. When new parts are required the section will enable spares to be recognised and ordered. As a further source of reference please visit www.eurostove.co.uk for latest spare-part information.

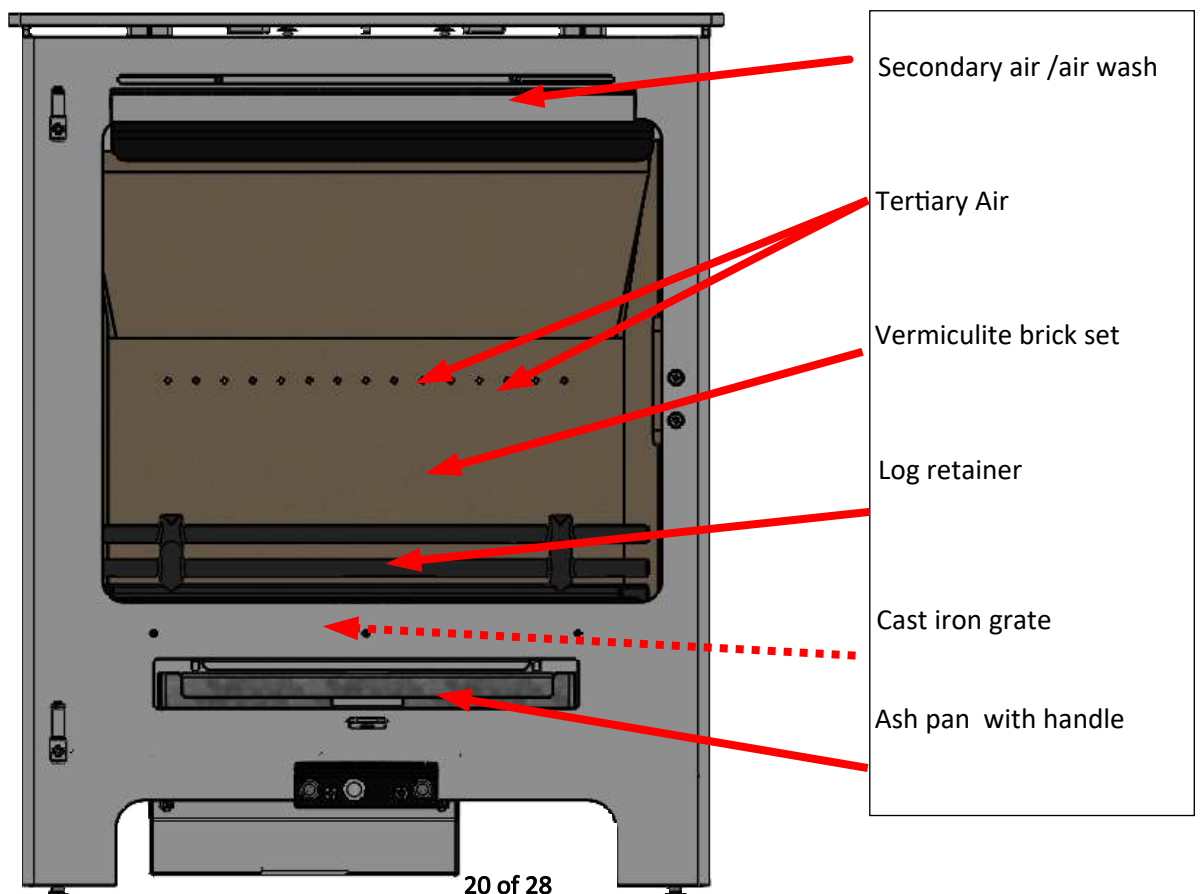
LOOSE PARTS

Always use the operating tools provided when handling parts likely to be hot when the stove is in use. Your stove has the following parts in the stove.

- 1) Cast Iron grate & log retainer.
- 2) Ashpan
- 3) Stove Glove
- 4) Top plate decorative cover plate.
- 5) Instruction manual & warranty card
- 6) Vermiculite brick linings (these are integral to the stoves performance-Do not throw away)
- 7)Moisture absorbency bag



COMBUSTION CHAMBER



HOW TO REMOVE THE WOOD BURNER INTERNAL PARTS



To remove the vermiculite brick set take the following steps:

Lift out the rear brick spacer (metal part not pictured).

Lift out the 2 base bricks next to the grate.

Remove the left hand vermiculite side brick by lifting the top baffle brick and pulling the side brick down from the top.



It is now possible to remove the top baffle brick by lifting up the left side and sliding it to the left then dropping it down.

The right hand side brick can be removed by gently pulling it down from the top.

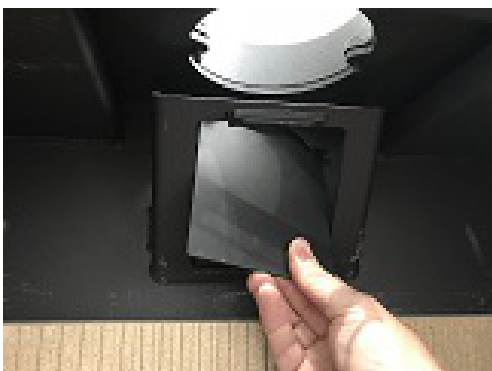
You may find it easier to remove the cast iron grate Before finally removing the rear brick.



To remove the upper steel baffles/ turbulence plates

Firstly lift the upper, ribbed, turbulence plate, slide it forwards towards the front of the stove.

This will create enough space to allow the plate drop down so that the baffle can be removed.

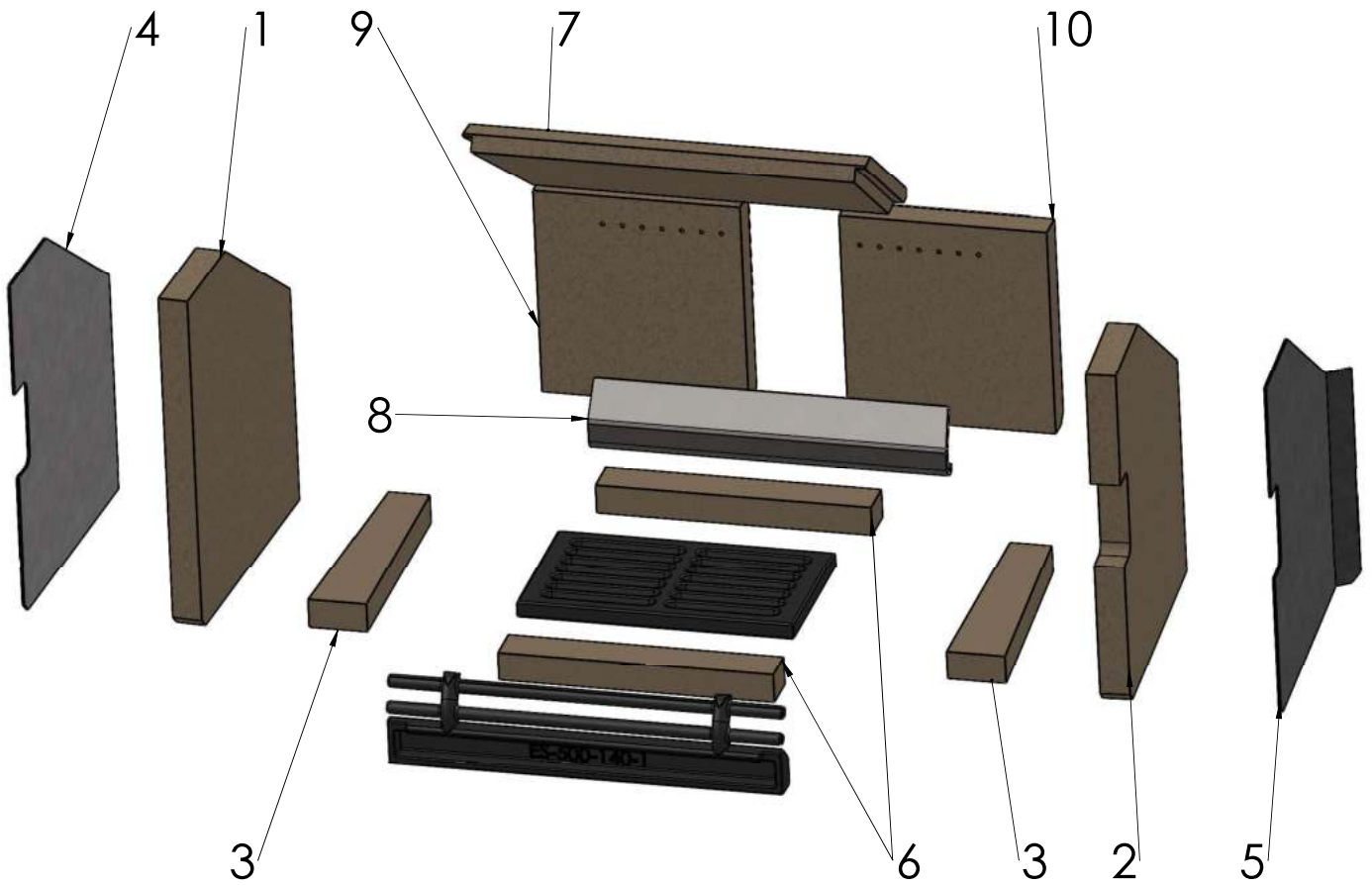


To remove the rear steel baffle. Simply push it away from the holding frame (which it rests on) and twist it to fit through the opening.

You now have access to the flue system, whether the collar is situated on the top or to the rear of your stove.



VERMICULITE BRICK SET PART NUMBERS



Item	Number	Description	Quantity	Weight (G)
	ES-800-400-3	COMPLETE BRICKSET	1	7264
1	ES-800-415-1	LH SIDE BRICK	1	484
2	ES-800-414-1	RH SIDE BRICK	1	468
3	ES-800-417-1	BASE SIDE BRICK	2	127
4	ES-800-421-0	LH SPACER (METAL)	1	1490
5	ES-800-422-0	RH SPACER (METAL)	1	1490
6	ES-800-420-0	BASE BRICK FRONT AND REAR	2	115
7	ES-800-425-0	BAFFLE	1	432
8	ES-500-430-0	REAR BRICK SPACER (METAL PART)	1	1280
9	ES-500-431-0	REAR BRICK LH	1	212
10	ES-500-432-0	REAR BRICK RH	1	924
			12 PARTS	

WOODLAND DOOR ASSEMBLY - (complete door assembly M10530-06-00-00-01)

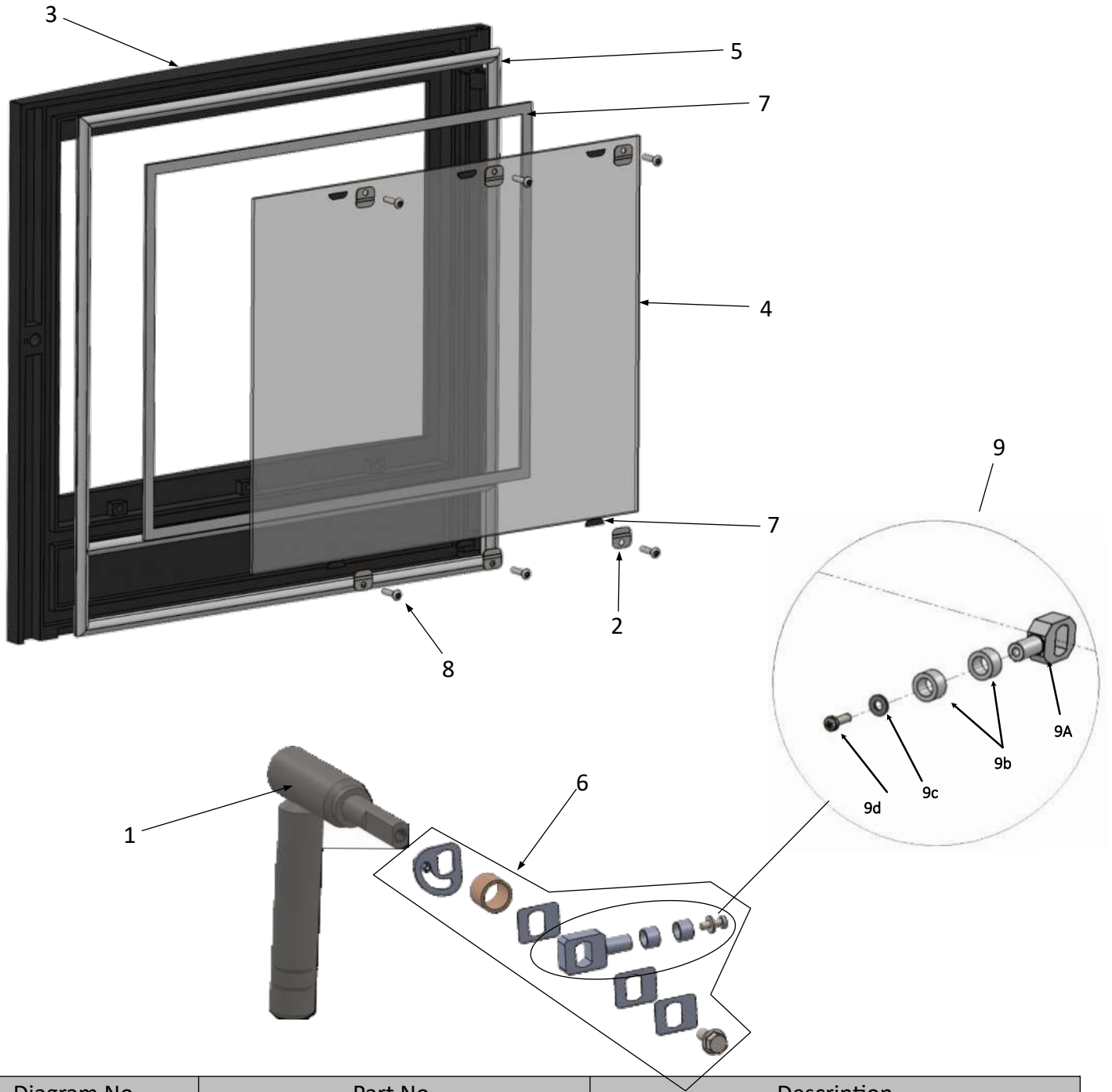
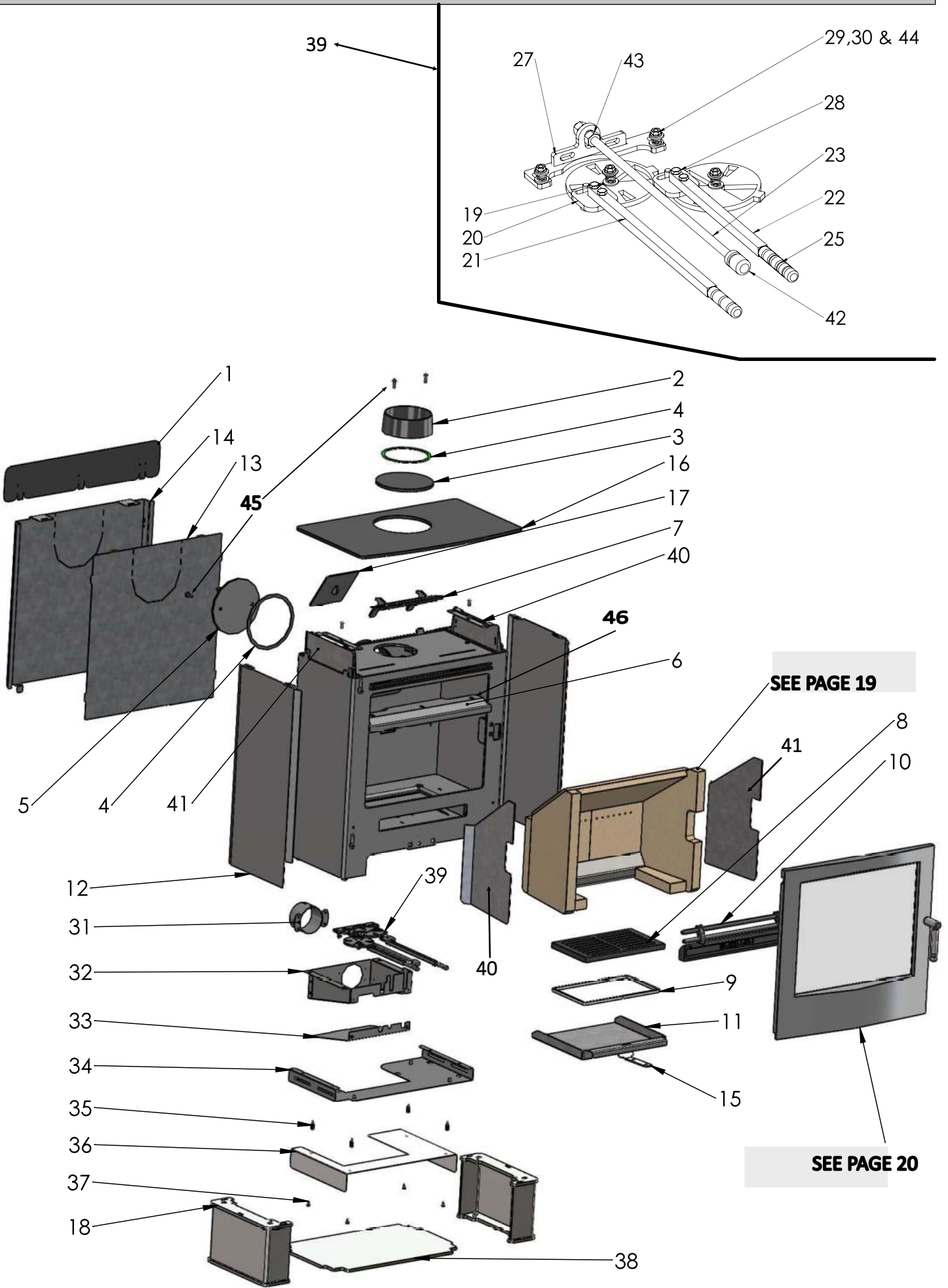


Diagram No.	Part No.	Description
1	ES-500-209-2	Woodland Door Handle complete
2	130-10-34-0	Glass Clamp
3	ES-500-220-0	Door Frame (only)
4	ES-500-501-0	Glass
5	M10530-06-03-00-00	Door Rope Seal Kit
6	M90520-06-13-99-02	Handle Fixing Kit (complete)
7	M10530-01-35-01-00	Glass Seal Kit (incl. 6 Clamp Pads)
8	W93301-01-04-00-00	M5 X 8mm screw (6)
9	M90520-06-88-99-01	Handle Latch Assembly
9A	CH-500-312-0	LATCH BASE
9B	CH-500-179-0	ROLLER LATCH X 2
9C	U91021-00-00-31-00	PLAIN WASHER M4 ISO10673-4.55-S
9D	U91024-00-00-31-00	PAN HEAD RECESS SCREW M4 X 10MM (ISO7045)
	M90520-06-12-99-02	BODY LATCH ASSEMBLY COMPLETE

STOVE PART NUMBERS



STOVE PART NUMBERS

Diagram No.	Part No.	Description
1	ES-500-187-2	Top Flue Rear Convection Panel
2	M90800-07-06-00-02	150mm Flue Collar Only (fitted with 2 x M6 X20 flange bolt)
3	ES-800-119-0	Flue Cover Plate 8mm
4	M90800-07-10-01-00	Collar/Blanking Plate Seal
5	ES-500-142-0	Flue Blanking Plate Only (fitted with 2 x M6 X 20 Flange bolts)
6	M90530-11-16-00-00	Secondary Air Deflector Only (fitted with 3 x M6 X 12 Flange bolts)
7	ES-500-117-0	Turbulence Plate
8	B90300-05-01-00-00	Cast Iron Grate
9	ES-500-147-0	Grate Support
10	ES-500-140-1	Log Retainer
11	ES-800-703-1	Ash Pan
12	ES-800-612-0 (R)/ ES-800-611-0 (L)	Convactor Side Panel Right/ Left
13	ES-500-614-0	Rear Inner Heat Shield
14	ES-500-613-0	Rear Outer Heat Shield
15	BE-500-702-2	Ashpan tool
16	ES-800-196-0	Top Plate Woodland large
17	ES-500-109-0	Cleaning Access Plate
18	ES-800-196-0	Logstore Base SET
19	ES-500-152-1	Air control wheel x 2 primary /secondary (sold separately)
20	ES-500-154-1	Guide Bracket x 2 primary /secondary (sold separately)
21	ES-800-191-0	Secondary Slider Bar
22	ES-800-190-0	Primary Slider Bar
23	ES-800-133-0	Tertiary air adjustment shaft
24	ES-400-172-0	Tertiary Knob
25	ES-300-711-3	Primary /Secondary knob
26		
27	ES-500-122-0	Tertiary Air Block
28	ES-500-154-1	Guide Bracket x 2 primary /secondary (sold separately)
29	LCM0650-01-M	Tension spring
30		2 x M5 x 1mm Washer each side
31	ES-500-130-0	Air inlet assembly
32	ES-500-128-0	External air box assembly
33	ES-500-127-0	EXTERNAL AIR BOX BOTTOM COVER LID
34	ES-800-158-0	UNDER CONVECTION PANEL
35	U91066-00-08-32-00	STANDOFF 10mm x M5 X4 (sold individually)
36	CH-800-142-0	LOGSTORE ADDITIONAL CONVECTOR
37	W92600-01-04-00-00	M5 x 10mm x 4 (sold individually)
38	ES-800-171-0	LOGSTORE ADDITIONAL BASE PLATE (inc 2 x levelling screws)
39		AIR CONTROL ASSEMBLY
40	ES-800-422-0	RIGHT INNER SPACER
41	ES-800-421-0	LEFT INNER SPACER
42	ES-400-172-0	M8 TERTIARY STEEL KNOB
43	U91071-00-00-32-00	M8 NUT
44	U91034-00-00-31-00	M5 NUT
45	U91076-00-00-99-00	M6 x 20mm flange bolt (sold individually) for no 5 & 2
46	U91000-98-21-31-00	M6 x 12mm flange bolt (sold individually) for no 6

NOTIFIED BODY: 0558

Essential Characteristics Woodland Large DC	
Test fuel	Beech
Fire Safety	Pass
Emissions of combustion products (Related to 13% O ₂)	CO: 0.10 vol% Nox: 94 mg/m ³ CxHy: 73 mg/m ³ Dust: 16 mg/m ³
Surface temperature	Pass
Measured thermal output	7.0kW
Energy efficiency	76.3%
Release of dangerous substances	Pass



Product End-of-Life/Recycling:

To dispose of the stove after the product life has expired, please observe the following information.

- Dispose of the items correctly (i.e. separate the parts to be disposed of in material groups.)
- Always dispose of items in a way that is as sustainable as possible and that is in line with the current environmental protection, reprocessing/recycling and disposal technology.

Mendip Stoves Ltd.

Unit H1, Mendip Industrial Estate
Mendip Road, Rooksbridge
Somerset. **BS26 2UG**

Website: www.mendipstoves.co.uk

Email: info@eurostove.co.uk



0691046774668