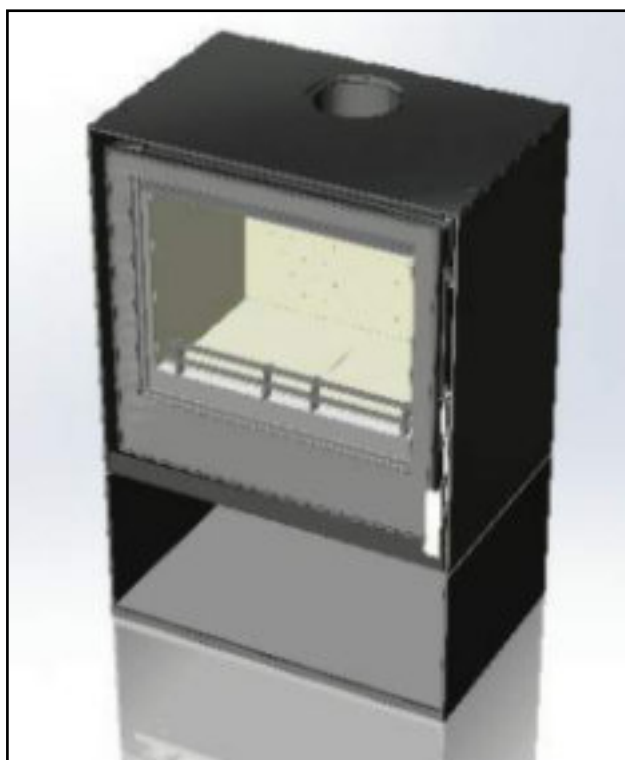


OPERATION AND INSTALLATION MANUAL

Woodburning SE models



Christon 550

Christon 750

July 2024

Contents

Operation and installation manual



PAGE **ITEM**

2-15

ENG

16-24 How to? Exploded parts diagrams

25-26 Certificate - EN Test

INSTALLATION MANUAL AND OPERATING INSTRUCTIONS

CHRISTON 550

CHRISTON 750

This manual refers to the stoves listed above, which are tested in accordance with EN 13240.

Thank you for purchasing your new stove from Mendip Stoves. Please read this manual carefully to ensure that you get maximum enjoyment and performance from your new stove and to prevent any potential operational problems. Please note that “all local regulations, including those referring to national and European Standards, need to be complied with when installing this appliance”. For further information on installing and using fireplaces and wood burning stoves, please see the relevant building regulations that apply to the country in which your stove is installed and tested. These instructions cover the basic principals to ensure the satisfactory installation of your stove, although detail may need slight modification to suit particular local site conditions.

	HEIGHT	WIDTH	DEPTH	WEIGHT
CHRISTON 550	550 mm	550 mm	360 mm	81 kg
CHRISTON 550 INSET	550 mm	550 mm	360mm	91 kg
CHRISTON 550 LOGSTORE	800 mm	550 mm	360 mm	
CHRISTON 550 SIDE TABLE (ONLY)	300 mm	550 mm	360 mm	15 kg
CHRISTON 750	550 mm	750 mm	360 mm	110 kg
CHRISTON 750 INSET	550 mm	750 mm	360mm	120 kg
CHRISTON 750 LOGSTORE	800 mm	750 mm	360 mm	
CHRISTON 750 SIDE TABLE (ONLY)	300 mm	750 mm	360 mm	20 kg

HEALTH AND SAFETY PRECAUTIONS

INFORMATION FOR THE USER, INSTALLER AND SERVICE ENGINEER

Special care must be taken when installing a stove such that the requirements of the Health & Safety at Work Act are met.

Handling

Adequate facilities must be available for loading, unloading and site handling.

Fire Cement

Some types of fire cement are caustic and should not be allowed to come into contact with the skin. In case of contact wash immediately with plenty of water.

PREPARATORY WORK AND SAFETY CHECKS

IMPORTANT WARNING

This stove must not be installed into a chimney that serves any other heating appliance. There must not be an extractor fan fitted in the same room as the stove because this can cause the stove to emit fumes into the room.

Asbestos

This stove contains no asbestos. If there is a possibility of disturbing any asbestos in the course of installation then please seek specialist guidance and use appropriate protective equipment.

Metal Parts

When installing or servicing this stove care should be taken to avoid the possibility of personal injury.

CO Alarms:-

Building regulations require that whenever a new or replacement fixed solid fuel or wood/biomass appliance is installed in a dwelling a carbon monoxide alarm must be fitted in the same room as the appliance. Further guidance on the installation of the carbon monoxide alarm is available in BS EN 50292:2002 and from the alarm manufacturer's instructions.

Provision of an alarm must not be considered a substitute for either installing the appliance correctly or ensuring regular servicing and maintenance of the appliance and chimney system.

Stove paint Aerosols

Paint aerosols are flammable and therefore dangerous to use around a lit stove. Be sure to allow aerosols spray paints to dry and ventilate the room well before lighting the stove. The use of any aerosol around lit stove is dangerous and care must be taken handling aerosols.

IMPORTANT:

These instructions cover the basic principles to ensure the satisfactory installation of the Mendip Stoves Christon models, although detail may need slight modification to suit particular local site conditions.

In all cases the installation must comply with current Building Regulations, Local Authority Bylaws and other specifications or regulations as they affect the installation of the stove. It should be noted that the Building Regulations requirements may be met by adopting the relevant recommendations given in British Standards BS 8303, BS EN 15287 as an alternative means to achieve an equivalent level of performance to that obtained following the guidance given in Approved Document J.

Fireguards

The use of a fireguard to BS 8423:2002 in the presence of children, aged and/or infirm persons is essential for their safety, even when the stove is not in use. The glass on the stove is ceramic glass and able to withstand very high temperatures however it is not toughened and a hard impact could cause the glass to break.

FLUE & CHIMNEY CONNECTION TO STOVE

The outlet from the chimney should be above the roof of the building in accordance with the provisions of Building Regulations Approved Document J. If installation is into an existing chimney then it must be sound and have no cracks or other faults which might allow fumes into the house. Older properties, especially, may have chimney faults or the cross section may be too large .

Mendip Stoves recommend the use of a solid fuel flue lining system for all installation into existing chimneys. All chimney systems must be used in accordance with Building Regulations Approved Document J.

If an existing chimney is used the chimney must be clear of obstruction and be swept clean immediately before installation of the stove. The chimney should be tested to confirm it will provide the correct chimney pressure for the stove.

If the stove is fitted in place of an open fire the chimney should be swept one month after installation to clear any soot falls which may have occurred due to the difference in combustion between the stove and the open fire. If there is no existing chimney then either a prefabricated block chimney in accordance with Building Regulations Approved Document J or a twin walled insulated stainless steel flue to BS 1856-1 . These chimneys must be fitted in accordance with the manufacturer's instructions and Building Regulations. A single wall metal flue pipe is suitable for connecting the stove to the chimney but is not suitable for using for the complete chimney. The chimney and connecting flue pipe must have a minimum diameter

of 125 mm and its dimension should be not less than the size of the outlet socket of the stove. Registered smoke exempt models burning wood only can be installed on flue of 125mm throughout.. Any bend in the chimney or connecting flue pipe should not exceed 45. 90 bends should not be used other than within 150 mm of the stove rear flue outlet.

Chimney Connection

In order for the stove to perform satisfactorily the chimney height must be sufficient to ensure an adequate draught to clear the products of combustion and prevent smoke problems into the room.

Tested Gas flow rates flue gas temperatures	Flue gas flow rate Wood	Test flue gas temperature wood	@ pascals of pressure
Christon 550	5.7 g/s	220 °C	12 pa.
Christon 750	7.6 g/s	274 °C	12 pa.

A chimney height of not less than 4.5 metres measured vertically from the outlet of the stove to the top of the chimney should be satisfactory. Alternatively the calculation procedure given in BS5854:1980 may be used as the basis for deciding whether a particular chimney design will provide sufficient draught.

If it is found that there is excessive draught in the chimney then either an adjustable flue damper or alternatively a draught stabiliser should be fitted. The adjustable flue damper should not close off the flue entirely but should in its closed position leave a minimum continuous opening free area of at least 20 % of the total cross sectional area of the flue or flue pipe.

Adequate provision (e.g. easily accessible soot door or doors) must be provided for sweeping the chimney and connecting flue pipe.

Your appliance needs to be maintained routinely and the throat plate/baffle should be cleaned regularly (monthly) . The flue pipe can be cleaned using a flexible brush. Only use a dry cloth on external surfaces. Over time the glass may become dirty and it can be cleaned with a damp cloth and polished off with dry cloth. If the stove has not been used for some time, the flue should be checked for blockages before use. Do not modify the appliance. Only use spares authorised by the manufacturer should be fitted/installed.

DISTANCE TO COMBUSTIBLE MATERIALS

Combustible materials should not be located where the heat dissipating through the walls of fireplaces or flues could ignite it. Therefore when installing the stove in the presence of combustible materials due account must be taken of the guidance on the separation of combustible material given in Building Regulations Approved Document J and also in these stove instructions. We recommend the use of calcium silicate board with a protection value of A1 in a fireplace recess or behind a stove fitted in a corner. The minimum distances to flammable materials are specified on the EN 13240 plate on the back of the stove.

	Distance to combustibles rear	Distance to combustibles sides	Distance to combustibles sides Convection models	Suitable for 12mm non-combustible floor plate
Christon 550	200 mm	200 mm	N/A	YES
Christon 750	100 mm	100 mm	N/A	YES

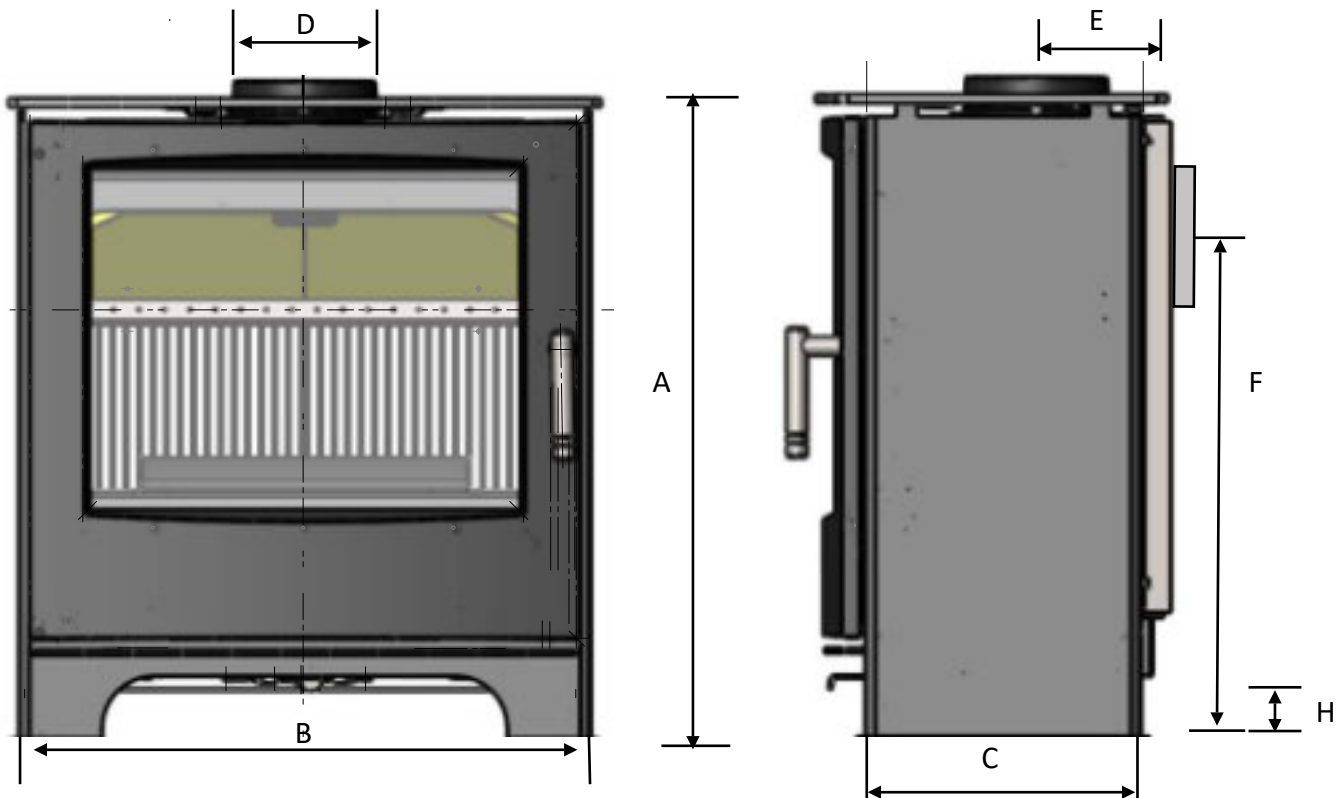
STOVE PERFORMANCE & TESTING

Christon 550 and 750 models are tested in accordance with EN 13240/13229. The Christon 550 & 750 have been recommended as suitable for use in smoke control areas when burning wood logs and when fitted with a mechanical stop to prevent closure of the secondary/tertiary air control. Christon 550 0 cm / 0% and Christon 750 2.5 cm or 50% open

	Nominal Heat Output	Efficiency	CO @ 13% O ₂	Dust mg/m _o ³	DEFRA Smoke Exempt	Mechanical SE Air Stop	Secondary Air SE Requirements
CHRISTON 550	4.8 kW	77.8 %	0.09	30	Yes / SE model	NO	N/A
CHRISTON 750	8.7 kW	78.4 %	0.09	32	Yes / SE model	YES	50 % / 2.5 cm

	Log Length			Wood Reload Interval	Wood Reload Weight
	Max Length	SE Dimensions L x W x D	Number of Logs		
CHRISTON 550	40 cm	25 x 11 x 11 cm	1	45 min	1.0 kg
CHRISTON 750	60 cm	25 x 14 x 11 cm	2	50 min	1.6 kg

STOVE DIMENSIONS AND CONNECTION MEASUREMENTS

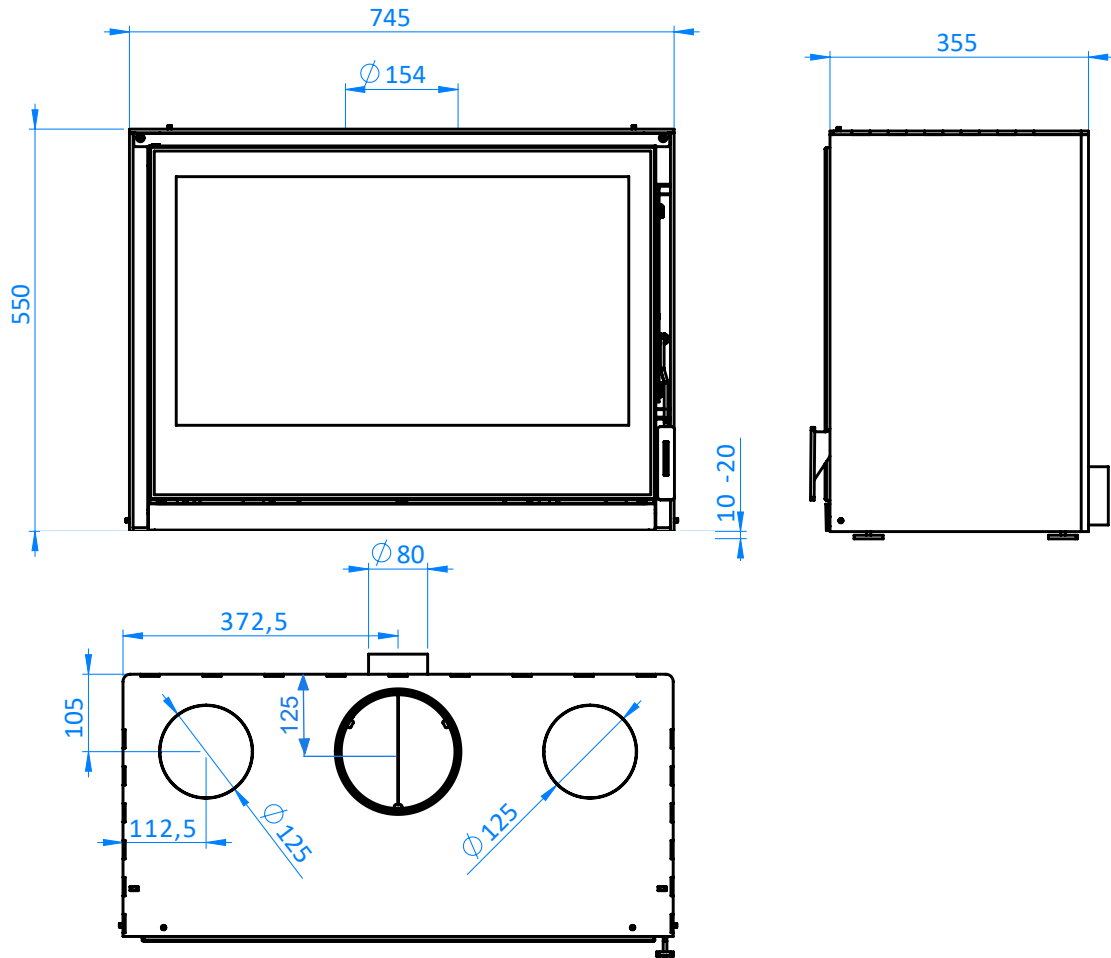


	HEIGHT	WIDTH	DEPTH	Collar Size	DISTANCE FROM			Air Intake Diameter
					Stove Rear to Centre Flue Collar	Floor to Rear Flue Stove	Floor to Centre Air Intake	
					A	B	C	
CHRISTON 550	550mm	550mm	360mm	125mm	105mm	N/A	50mm	80mm
CHRISTON 550 LOGSTORE	800mm	550mm	360mm	125mm	105mm	N/A	300mm	80mm
CHRISTON 750	550mm	750mm	360mm	150mm	105mm	N/A	50mm	80mm
CHRISTON 750 LOGSTORE	800mm	750mm	360mm	150mm	105mm	N/A	300mm	80mm

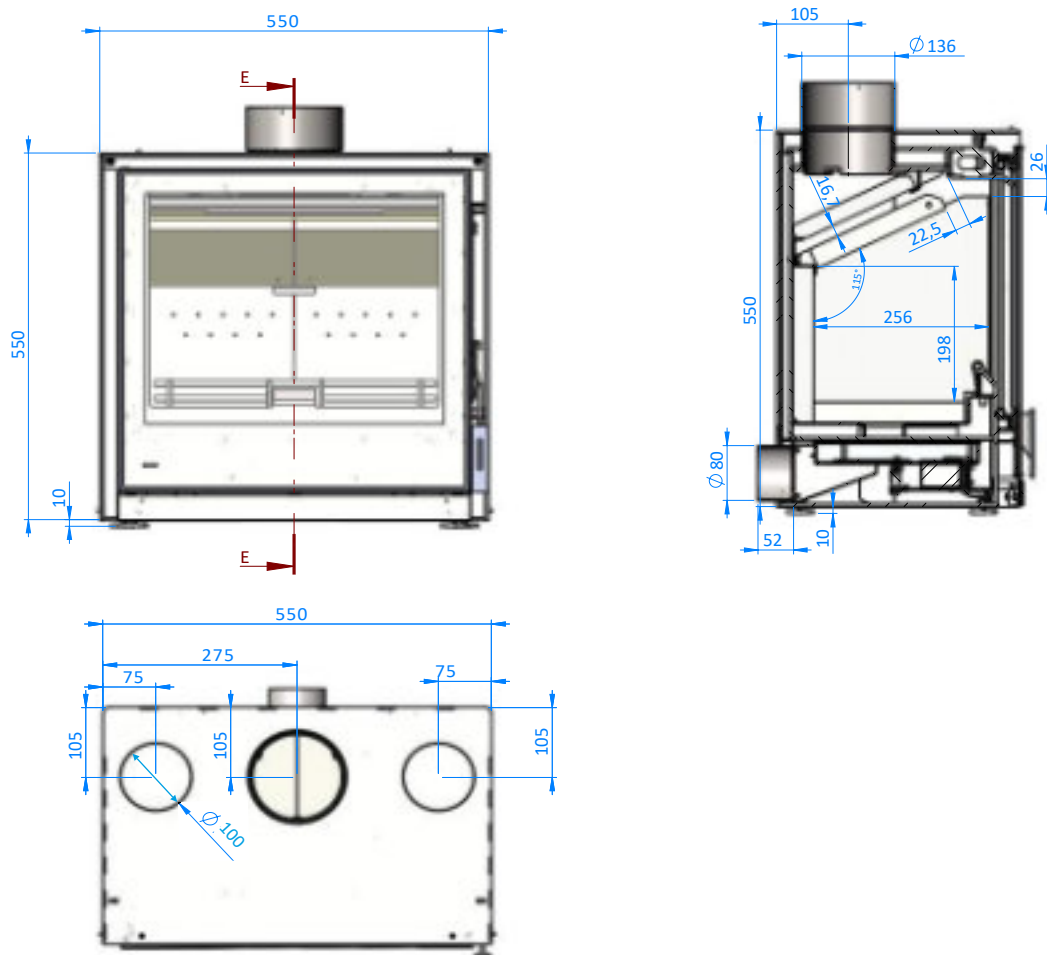
* When the adjustable legs are fully extended, the centre of the air intake (H) is 60mm away from the floor.

STOVE DIMENSIONS AND CONNECTION MEASUREMENTS

Christon 750



Christon 550



DISTANCE TO NON COMBUSTIBLE MATERIALS

The stove can be recessed in a suitable sized non - combustible fireplace but a permanent free air gap of at least 50mm must be left around the sides and top and at least 50mm at the back of the stove to obtain reasonable heat output and for access to the stove for removal and maintenance. A clearance of 100mm will give a better heat output.

All non - combustible walls closer than 100mm to the stove should be at least 75mm thick. For practical reasons the back wall of the fireplace recess and the hearth should ideally be made of a non-combustible material. When installing your stove in a non combustible chamber combustible materials should not be located where the heat dissipating through the walls of fireplaces or flues could ignite it. Therefore when installing the stove in the presence of combustible materials due account must be taken of the guidance on the separation of combustible material given in Building Regulations Approved Document J and also in these stove instructions. The minimum distances to flammable materials are specified on the EN 13240 plate on the back of the stove

HEARTH

The hearth should be able to accommodate the weight of the stove and its chimney if the chimney is not independently supported. Christon 550 & 750 stoves have been tested and are suitable to be installed on a 12 mm non combustible plate such as 12 mm glass plates . Installation of all hearths should comply in size and construction so that they are in accordance with the provisions of the current Building Regulations Approved Document J.

The clearance distances to combustible material beneath, surrounding or on the hearth and walls adjacent to the hearth should comply with the guidance on the separation combustible material given in Building Regulations Approved Document J and also in these stove instructions.

If the stove is to be installed on a combustible (wooden) floor, it must be covered with a non-combustible material at least 12 mm thick, in accordance with Building Regulations Approved Document J, to a distance of 30 cm in front of the stove and 15 cm to each side measuring from the door of the combustion chamber.

COMBUSTION AIR

In order for the stove to perform efficiently and safely there should be an adequate air supply into the room in which the stove is installed to provide combustion air. This is particularly necessary if the room is double-glazed or a flue draught stabiliser is operating in the same room as the appliance. The provision of the air supply to the stove must be in accordance with current Building Regulations Approved Document J. An opening window is not appropriate for this purpose. Air inlets must be positioned in such a way that they cannot be blocked. An air inlet may be a vent (the vent must be open and the capacity for the vent sufficient when the stove is lit) .

There are no European rules regarding the minimum distance to non-flammable walls, Mendip Stoves recommend leaving a gap of at least 50mm behind and to sides of stove.

Christon 550 & 750 models take all combustion from a single 80mm port under the stove. With the door closed the air port supplies all combustion air for the appliance. This can be connected to the outside via a 80mm pipe so the appliance does not draw air from the room. However Mendip stoves still recommends the use of an air brick as laid out in document j for when the stove is being reloaded.

COMMISSIONING AND HANDOVER

Ensure loose parts (brick and grates) are fitted in accordance with the instructions given in the instruction booklet. On completion of the installation allow a suitable period of 1 me for any fire cement and mortar to cure. A small fire may be lit to check that smoke and fumes are taken from the stove up the chimney and emitted safely into the atmosphere. Do not run at full output for at least 24 hours.

On completion of the installation and commissioning ensure that the operating instructions for the stove are left with the customer. Ensure you advise the customer on the correct use of the appliance with the fuels likely to be used in the stove and notify them to use only the recommended fuels for the stove. Advise the user what to do should smoke or fumes be emitted from the stove.

The customer should be warned to use a fireguard to BS 8423:2002 in the presence of children, aged and/or infirm persons.

COMBUSTION CHAMBERS

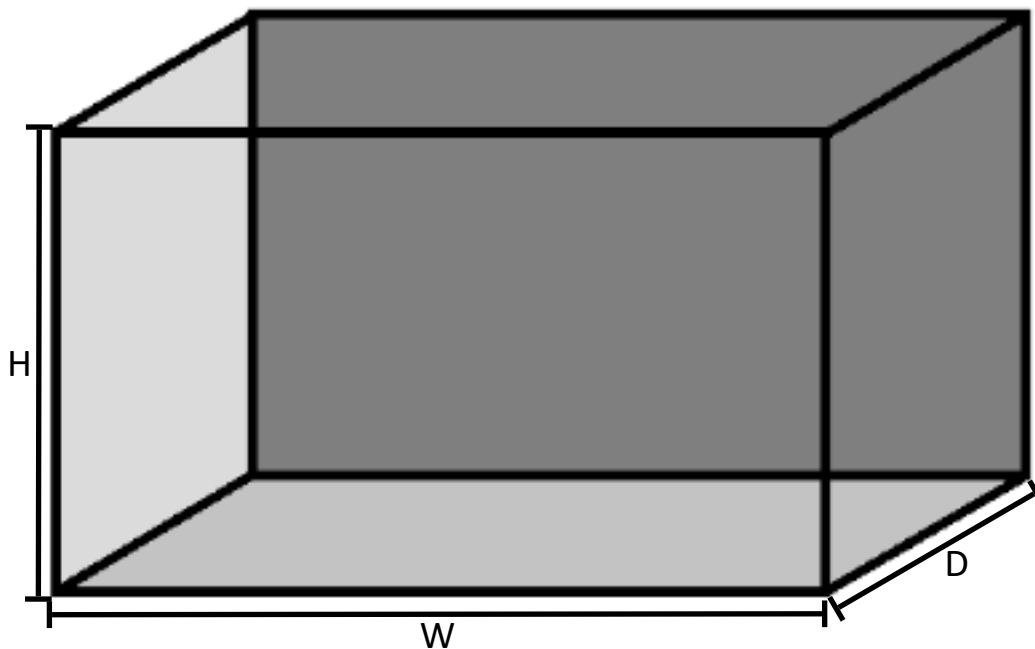
Mendip Stoves are fitted internally with vermiculite heat deflection panels and baffles. These panels are designed to ensure the maximum efficiency and are an integral part of the clean burn process of the stove. These baffles should not be removed other than for cleaning the stove. Any defective panels should be replaced although small hairline cracks do not need immediate replacement. However hairline cracks can develop to a larger crack during long term use and should be monitor regularly. If these pass through the vermiculite to the stove body then the panel must be replaced. When refuelling your stove carefully place the wood fuel into the chamber, impact from logs can cause the heat deflection panel to crack.

Connection to chimney

Christon models are built with a top flue outlet as standard. Care should be taken to ensure an airtight fit if or when refitting a collar. This collar allows connection to either a masonry chimney or a prefabricated factory made insulated metal chimney.

INSTALLING A CHRISTON INSET

Building in Dimensions	Height	Width	Depth
CHRISTON 550	570 mm	570 mm	380 mm
CHRISTON 750	570 mm	770 mm	380 mm



DO NOT OBSTRUCT THE AIR INTAKE

At least 20mm clearance should be left between the outer casing of the rear of the stove and the wall

If you are installing an inset stove without utilising the closed combustion capabilities of the Christon wood burners, you will need to remove the Direct Air Inlet at the rear of the stove to ensure that there is sufficient air flow to accommodate the requirements of the appliance.

DO NOT BACK FILL AROUND THIS STOVE

It could block the air intake of your appliance, preventing it from operating as it should.

N.B. Inset models are supplied with a stainless steel adapter which allows direct connection to a stainless steel chimney liner. (See adapter shown on Christon 550 drawing)

HOW TO OPERATE YOUR STOVE

Suitable fuels

Your stove is tested to burn wood. Wood briquettes can also be burnt but special account should be taken of fuel weight. For a full list of suitable fuels, check with the official solid fuels approvals body, HETAS or Solid Fuel Association. Do not overload stove as this can cause excessive heat and damage the stove (see table on page 5).

ALWAYS KEEP THE FUEL LOAD BELOW THE TERTIARY PORTS AT THE REAR OF STOVE. Only use fuels approved for use on heating stoves. Do not burn liquid fuels, driftwood, finished wood, sawn wood, pallet wood, chipboard/plywood, varnished wood or plastic coated wood, wood treated with preservatives, or any house hold waste.

**DO NOT EXCEED SPECIFIED FUEL WEIGHTS.
DO NOT BURN HOUSE COAL. DO NOT BURN HOUSEHOLD WASTE.
THIS APPLIANCE IS NOT AN INCINERATOR.**

MENDIP STOVES RECOMMEND THE USE OF A FLUE THERMOSTAT TO CHECK YOUR STOVE IS NOT OVERHEATING. PLACE FLUE THERMOSTAT DIRECTLY ABOVE COLLAR OF STOVE AND REFER TO TEMPERATURE GAUGE ON PAGE 4.

LIGHTING YOUR STOVE FOR THE FIRST TIME

Before lighting your stove for first time make sure you have read this manual fully and acquainted yourself with the controls of this appliance. (see page 9)

The heat-resistant paint on your stove will cure and harden the first time you light your appliance.

The curing process produces a good deal of smoke and odour. It is therefore important that the first time you light your stove the room should be well ventilated.

During the process it is important to open and close the stove door periodically (every 30mins) during the first couple of firings therefore preventing the door seal cord around the door from sticking and coming away from the door. Once the heat-resistant paint has hardened the smell will disappear.

Your stove is NOT designed to be used with the door open. The stove door must be kept closed except when lighting the stove, adding firewood or removing ash in order to prevent flue gases from escaping.

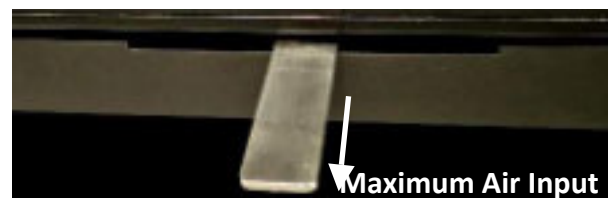
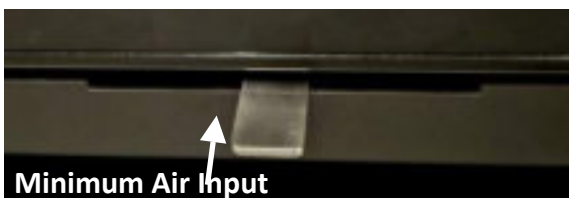
Use of Fire lighters

Quality Firelighters should be used when lighting your stove. **Never use mentholated spirit, petrol or other flammable liquids.** Lighting your stove with firelighters will be more reliable and easier than using paper. Lighting your fire with paper results in excess smoke, more ash and possible blackening of the glass.

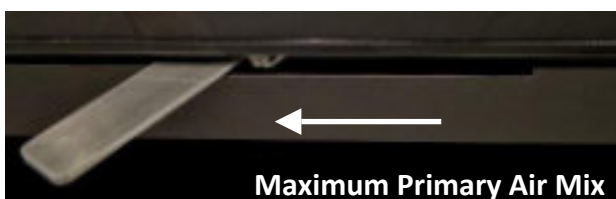
OPERATING THE AIR CONTROL LEVER

The Universal Air Control Lever (UAC) determines how much air is admitted into your stove, as well as where it is directed into the combustion chamber:

Sliding the control lever in and out respectively reduces and increases the total amount of air available to the stove.



Moving the control lever from left to right determines where the external air is directed into the combustion chamber: By moving the control lever to the left increases the primary air mix, moving the UAC to the right increases the secondary air.



Whatever position the control is set at, the lever can have either minimum combustion air or maximum combustion air.

HOW TO LIGHT YOUR WOOD BURNING STOVE

Note: If the chimney is externally fitted or the stove has been installed on a larger diameter clay chimney liner then on cold days it may be necessary to warm the flue using firelighters prior to lighting with wood.

1. Place two small dry split logs (¼ split) on the fire bed. Kindling stacked as in the picture allows combustion air to flow freely and will aid ignition. On top of the kindling place two or more non toxic firelighters.

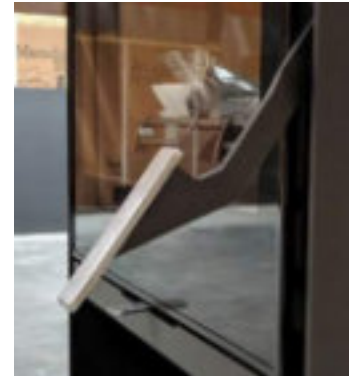
1.



Arrange your Kindling & Logs as shown

2. Fully slide open (pull out) the Universal air control (UAC) air slider below the stove door. Slide out fully to the left position. The stove now has a mix of primary air secondary air for start up.

3. Light the firelighters and push the door to closed position, latch in the 1st position so the door is open 2 mm (see picture). This provides additional combustion air for start up and reduces condensation on the door glass.



4. Once the flames from the logs are fully established , this can take up to 10 minutes . The door can now be closed. Leave the UAC control in the left position (if the slider is in the left position the air controller is providing a mix of primary and secondary air). If the stove flames begin to falter and generate smoke in chamber unlatch the door again until the fire is established.

5. Once the fire bed is established slide the UAC control to the secondary position (right side) and push in the slider as desired, for the stove to burn cleanly plenty of secondary air is needed, do not be tempted to shut the fire down too early as this may cause smoke. At nominal heat output, expect to refuel your stove approximately once an hour. Check load weights for your model on the table on page 5. And use the glove when reloading, as well as when operating air controls and door.



**The stove will get very hot during use and due care must therefore be exercised.
Please use the glove when operating the air controls, door and ashpan.**

WOOD FUEL

Good quality wood is the most important factor in your stove working efficiently and cleanly. Always use dry split hardwood firewood (moisture content of 20% or less). The dryness of the firewood plays an important role since the use of wet wood results in poor fuel economy and may cause a tarry sooty film on the internals of the stove.

Newly cut wood contains 60–70% water, making it totally unsuitable for use as firewood.

Newly cut wood should be stacked and air dried under cover for two years before being used as firewood.

Do not burn liquid fuels, drift wood, finished, sawn wood, pallet wood, chipboard/plywood, varnished wood or plastic coated wood, wood treated with preservatives, or household waste.

RE-FUELLING WHEN BURNING WOOD

To re-fuel your stove in the cleanest way only refuel your stove when flames have died down and you have glowing embers. Before refuelling, open the UAC fully and slide to the left position. Unlatch door to equalise the pressure with the room. Open the door gently, add one piece of wood (4.8kW model) add two pieces of wood (8.7kW models) (please check weight table page 5) and close the door. Once the flames from the logs are fully established slide the UAC control to the right position and push air control as desired. The stove is only suitable for intermittent use only: do not run overnight or for long periods unattended.

Experience will determine the settings that produce the best results. Use a flue thermostat to check the stove is not overheating. Flue thermostats should be placed directly above the collar of the stove on a non insulated section of pipe (efficient operating temperature range is between 200c and 400c).

	Log Length			Time Intervals Between Reloading	Wood Reload Weight
	Maximum Length	SE Dimensions L x W x D cm	Number of Logs		
CHRISTON 550	40cm	25 x 14 x 11	1	~45min (0.72hr)	1.4kg
CHRISTON 750	60cm	25 x 14 x 14	2	~50min (0.81hr)	1.84 kg

BURNING WOOD IN A SMOKE CONTROL AREA

You must purchase a smoke control version of the Mendip stove which is modified slightly to comply with regulations. Any change to this modification will invalidate the stoves compliance for smoke control areas.

The Clean Air Act 1993 and Smoke Control Areas

Under the Clean Air Act local authorities may declare the whole or part of the district of the authority to be a smoke control area. It is an offence to emit smoke from a chimney of a building, from a furnace or from any fixed boiler if located in a designated smoke control area. It is also an offence to acquire an "unauthorised fuel" for use within a smoke control area unless it is used in an "exempt" appliance ("exempted" from the controls which generally apply in the smoke control area).

In England appliances are exempted by publication on a list by the Secretary of State in accordance with changes made to sections 20 and 21 of the Clean Air Act 1993 by section 15 of the Deregulation Act 2015. In Scotland appliances are exempted by publication on a list by Scottish Ministers under section 50 of the Regulatory Reform (Scotland) Act 2014. Similarly, In Northern Ireland appliances are exempted by publication on a list by the Department of Agriculture, Environment and Rural Affairs under Section 16 of the Environmental Better regulation Act (Northern Ireland) 2016. In Wales appliances are exempted by regulations made by Welsh Ministers.

Further information the requirements of the Clean Air Act can be found here: <https://www.gov.uk/smoke-control-area-rules> Your local authority is responsible for implementing the Clean Air Act 1993 including designation and supervision of smoke control areas and you can contact them for details of Clean Air Act requirements.

The Christon 550 & 750 SE stoves has been recommended as suitable for use in smoke control areas when burning wood logs. The appliances have been fitted with a modification to fix the air controls at 0% open for 550 & 50% open for the 750 model in its minimum position.

Only specific SE cleanheat models are suitable for smoke control areas (page 5), alterations should not be attempted.

Mendip smoke control stoves should not be burnt with the door left open.

The refuelling procedure : - allow the newly charged fuel to burn with the secondary air control set at maximum for up 3 to 4 minutes. After this period, with flames from the logs fully established, close the secondary air supply to the low output setting. When operating at high output (secondary air set fully open) the new refuel charge does not require any boost air to establish combustion.

BURNING WOOD IN A SMOKE CONTROL AREA - continued

Refuelling on to a low fire bed

If there is insufficient burning material in the fire bed to light a new fuel charge, excessive smoke emission can occur. Refuelling must be carried out onto a sufficient quantity of glowing embers and ash that the new fuel charge will ignite in a reasonable period. If there are too few embers in the fire bed, add suitable kindling to prevent excessive smoke

Operation with door left open

Operation with the door open can cause excess smoke. The appliance must not be operated with the appliance door left open except as directed in the instructions.

Dampers left open

Operation with the air controls or appliance dampers open can cause excess smoke. The appliance must not be operated with air controls, appliance dampers or door left open except as directed in the instructions.

Fuel Overloading

The maximum amount of fuel specified in this manual should not be exceeded, overloading can cause excess smoke

SE Cleanheat - SMOKE EXEMPTION MODIFICATION

Smoke exempt models are factory fitted with a air stop on the air control slider: The adjust control to smoke control settings place Allen key on bolt in the air intake (at the rear of the stove ensuring that the air control is limited to

- No limit is needed for Christon 550
- Reduce travel to 2.5 cm/50% for Christon 750



SOLID FUEL - COAL - SMOKELESS COAL

SMOKELESS COAL, HOUSE COAL AND PETROLEUM COKE ARE NOT SUITABLE FOR USE ON THIS STOVE; ITS USE WILL INVALIDATE THE GUARANTEE.

SOLID SMOKELESS FUELS - Christon 550/750 models are NOT suitable for use with smokeless fuels and have not been tested to the relevant European standard. Only use wood for these stoves.

INCOMPLETE COMBUSTION

If the air controls on your stove are closed too much incomplete combustion may lead to a build-up of hard, shiny soot on the inside of your stove and glass. To prevent sooting of the chamber and glass introduce:-

- 1) more secondary air,
- 2) check that your fuel is suitable and dry (less than 20% moisture content).
- 3) that you have sufficient draw in your chimney.

It is important to check the draught conditions before lighting your stove. This may be done, for instance, by crumpling a piece of newspaper, placing it in the combustion chamber and lighting it. The draught conditions are good if the smoke is drawn away through the chimney.

OVERNIGHT BURNING

Mendip Christon stoves are designed to burn wood .

Wood burns more efficiently and cleanly if it is burnt hotter.

Mendip stoves do not recommend that their stoves are burnt overnight for this reason. As a night time regime we recommend that the fire is loaded when hot and burnt for five minutes with the secondary air control fully open until the new wood has taken and is burning, then close the secondary air valve to its operational position. On returning to the stove in the morning the fire will have burnt out, reload with some paper or firelighter and some kindling and open both air sliders fully to relight quickly. Beware as the ash bed will have hot embers.

PERMANENT AIR VENT

The stove requires a permanent air vent to the room . This is to provide adequate air supply in order for the stove to operate safely and efficiently. In accordance with current Building Regulations the installer will have fitted a permanent air supply vent into the room in which the stove is installed to provide combustion air. This air vent should not under any circumstances be shut off or sealed.

NOTE: Ticking Noises from the Stove

A stove can make a ticking noise when in use which is caused by the steel panels as they expand and contract with the heat during the burn cycle. Convection stoves are more likely to make a ticking noise as they have more panels and the panels will naturally vary in temperature to one another.

For example, a Mendip logstore stove is made with over 147 individual parts This number of parts includes the convection panels that allow the stove to achieve low distances to combustible walls. The panels vary in their thickness and depending on how warm the panels are the expansion levels will differ. This is a natural process and should not be a concern.

WARNING NOTE

If properly installed, operated and maintained this stove will not emit fumes into the dwelling. Occasional fumes from de-ashing and re-fuelling may occur. However, persistent fume emission is potentially dangerous and must not be tolerated. If fume emission does persist, then the following immediate action should be taken:-

- (a) Open doors and windows to ventilate the room and then leave the premises.
- (b) Let the fire go out.
- (c) Check for flue or chimney blockage and clean if required
- (d) Do not attempt to relight the fire until the cause of the fume emission has been identified and corrected.

If necessary seek expert advice.

The most common cause of fume emission is flue way or chimney blockage. For your own safety these must be kept clean at all times.

CO Alarm

Your installer should have fitted a CO alarm in the same room as the appliance. If the alarm sounds unexpectedly, follow the instructions given under "Warning Note" above.

Aerosols

Aerosols are flammable and therefore dangerous to use around a lit stove. Do not use aerosols sprays near your lit stove. The use of any aerosol is dangerous and care must be taken handling aerosols.

TROUBLE SHOOTING

1. Fire Will Not Burn - check

- a) the air inlet is not obstructed in any way,
- b) that the chimney and flue ways are clear,
- c) that a suitable fuel is being used,
- d) that there is an adequate air supply into the room,
- e) that an extractor fan is not fitted in the same room as the fire.

2. Fire Blazing Out Of Control - check

- a) the doors are tightly closed,
- b) the air controls are turned down to the minimum setting,
- c) the flue damper is closed (if fitted),
- d) a suitable fuel is being used,
- e) the door seals are in good condition.
- F) the chimney draught may be too strong

3) Soot forms on the window

- a) The firewood may be too wet
- b) the intake of secondary air may be insufficient
- c) The fire is not hot enough

4) The stove fails to heat fully

- a) The firewood may be too wet
- b) the intake of secondary air may be insufficient

5) Smoke or odour

- a) weak chimney draught
- b) check for blockages in the flue pipe/chimney
- c) check the height of the chimney relative to the surroundings

6) Soot in the chimney

- a) The firewood may be too wet
- b) intake of secondary air may be insufficient

MAINTENANCE

Mendip stoves recommends that your model needs to have the ash removed from the Christon stove at regular intervals (every 2-3 days if used daily). Overflowing ash will impede the function of the stove and can cause possible damage to the stove linings. To remove ash use a ash shovel, always wear a heat resistant glove. Make sure the stove is completely cold before cleaning out ash (embers can remain hot for over 24 hours).

Ash must be stored in a non-combustible container and must not be mixed with other combustible waste.

Annual service

The inside of the stove should be serviced /cleaned once a year. To clean the inside, remove all ash, soot and tar residue from the combustion chamber. Remove insulated chamber panels and baffle, dirt and soot will collect behind it and this must be cleaned out. Check the quality of all insulated panels and replace any which are damaged or cracked, replace the stove door rope cord in the door. Check the glass is correctly positioned. The stove, the flue pipe connection and the chimney should be checked regularly by a qualified engineer. The chimney should also be checked for blockages before relighting the stove if it has not been used for an extended period of time. The paint/ lacquer can wear thin in exposed places due to overheating.

This, and other lacquer damage, may be repaired using Senotherm paint/lacquer spray available from your Mendip dealer. To clean the outside of the stove use a dry cloth.

Prolonged non use (summer)

If the stove is to be left unused for a prolonged period of time (e.g. over the summer) then it should be given a thorough clean to remove ash and unburned fuel residues. To enable a good flow of air through the appliance to reduce condensation and subsequent damage, leave the air controls fully open.

It is important that the flue connection, any appliance baffles or throat plates and the chimney are swept prior to lighting up after a prolonged shutdown period.

Spare parts & unauthorised alterations

Only the manufacturer's own components, or replacement parts recommended and approved by Mendip stoves, shall be used for appliance servicing and repair. Any unauthorised alterations will invalidate the stove warranty and compliance with EN13240.

SWEEPING YOUR CHIMNEY & CHIMNEY FIRES

Ensure that your appliance, flue ways and chimney are swept regularly. This can be incorporated in the service regime of your appliance. Regular sweeping is essential and means at least once a year for smokeless fuels and a minimum of twice a year for wood. If a throat/baffle plate is incorporated, it is essential that the throat/ baffle plate is removed and cleaned above and all ash and debris should be removed. Ensure there is adequate access to cleaning doors where it is not possible to sweep the chimney through the appliance.

Where a chimney has served an open fire installation previously it is possible that the higher flue gas temperature from a closed appliance may loosen deposits that were previously firmly adhered, with the consequent risk of flue blockage. It is therefore recommended that the chimney be swept a second time within a month of regular use after installation of the stove.

Chimney Fires

If the chimney is thoroughly and regularly swept, chimney fires should not occur. However, if a chimney fire does occur turn the air control setting to the minimum, and tightly close the doors of the stove. This should cause the chimney fire to go out and in which case the control should be kept at the minimum setting until the fire in the stove has gone out.

The chimney and flue ways should then be cleaned. If the chimney fire does not go out when the above action is taken then the fire brigade should be called immediately.

After a chimney fire the chimney should be carefully examined for any damage. Expert advice should be sought if necessary.

STOVE PARTS, COMBUSTION CHAMBER, ASSEMBLY

This section shows the parts contained in your stove, each stove has over 80 spare-parts and, each part is detailed. When new parts are required the section will allow spares to be recognised and ordered. As a further source of reference please visit www.eurostove.co.uk for latest spare-part information.

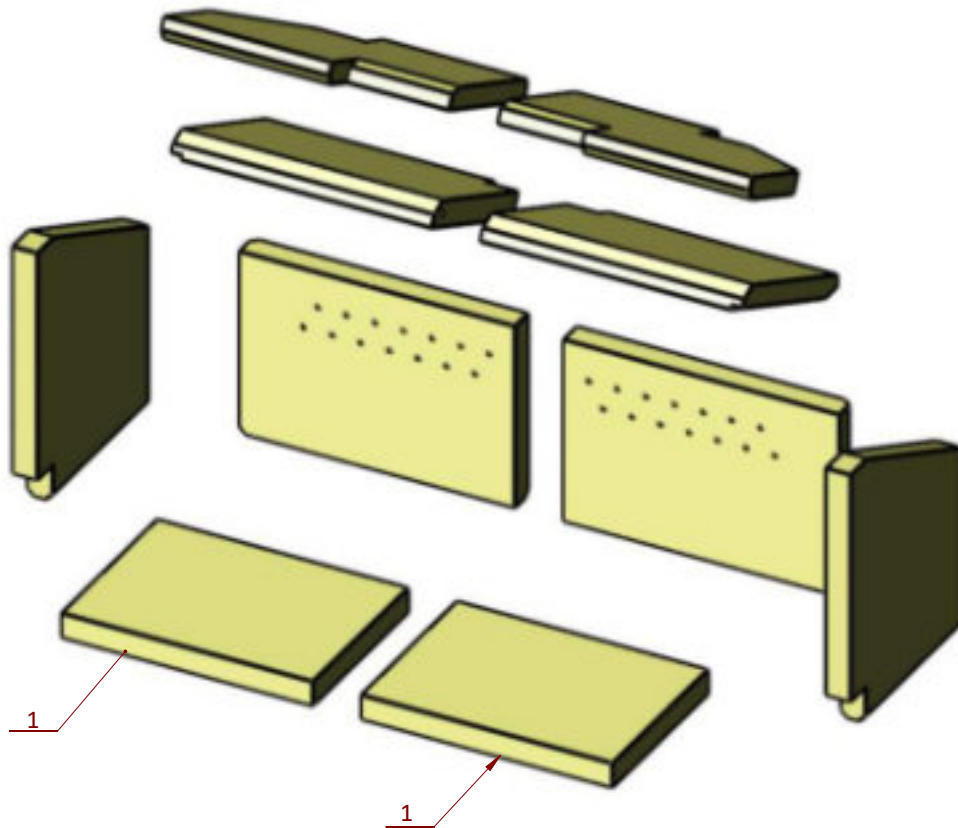
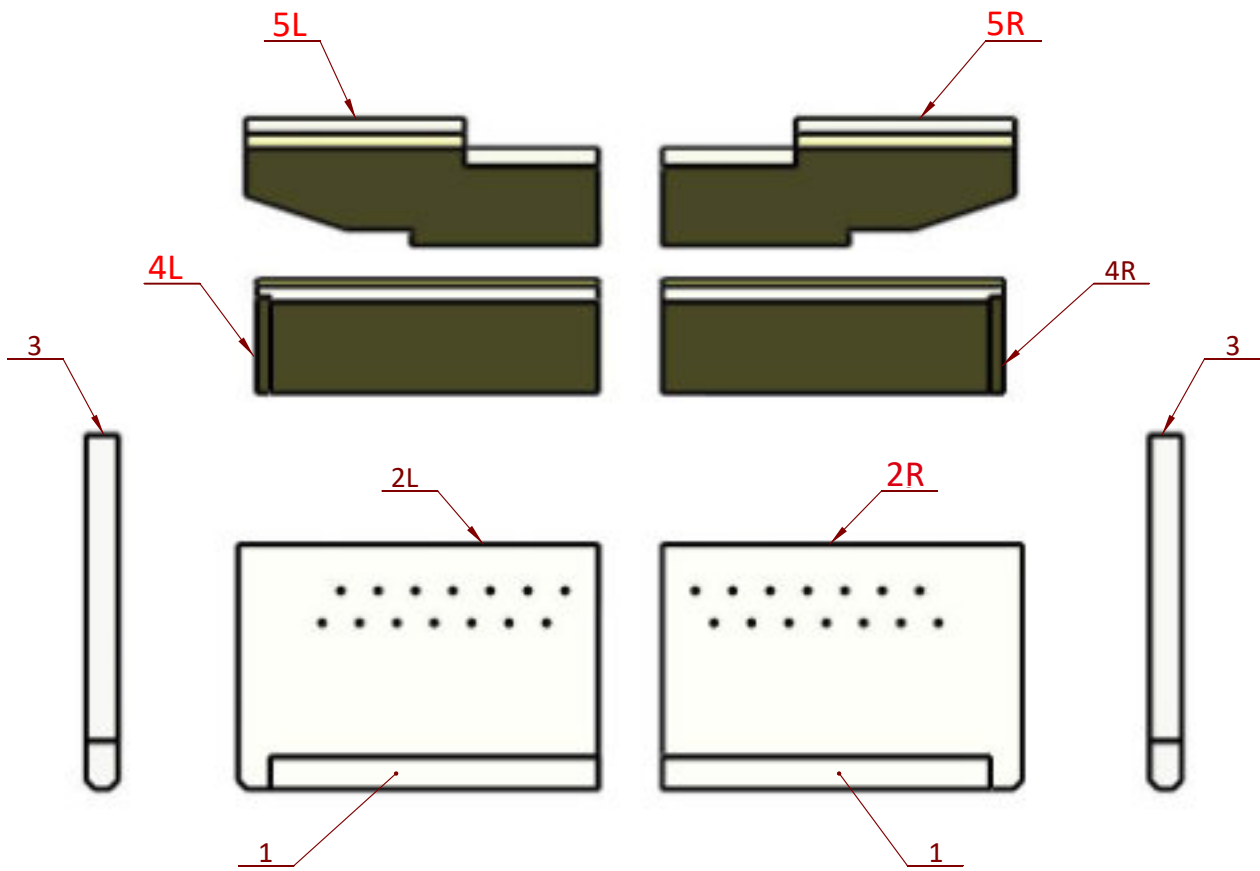
LOOSE PARTS

Always use the operating tools provided when handling parts likely to be hot when the stove is in use. Your stove has the following parts in the stove.

1. Foot Adjustment Tool
2. Stove Glove
3. Instruction Manual & Warranty Card
4. Vermiculite Fire Bricks (these are integral to the stoves performance - Do NOT throw away)
5. Moisture absorbency bag



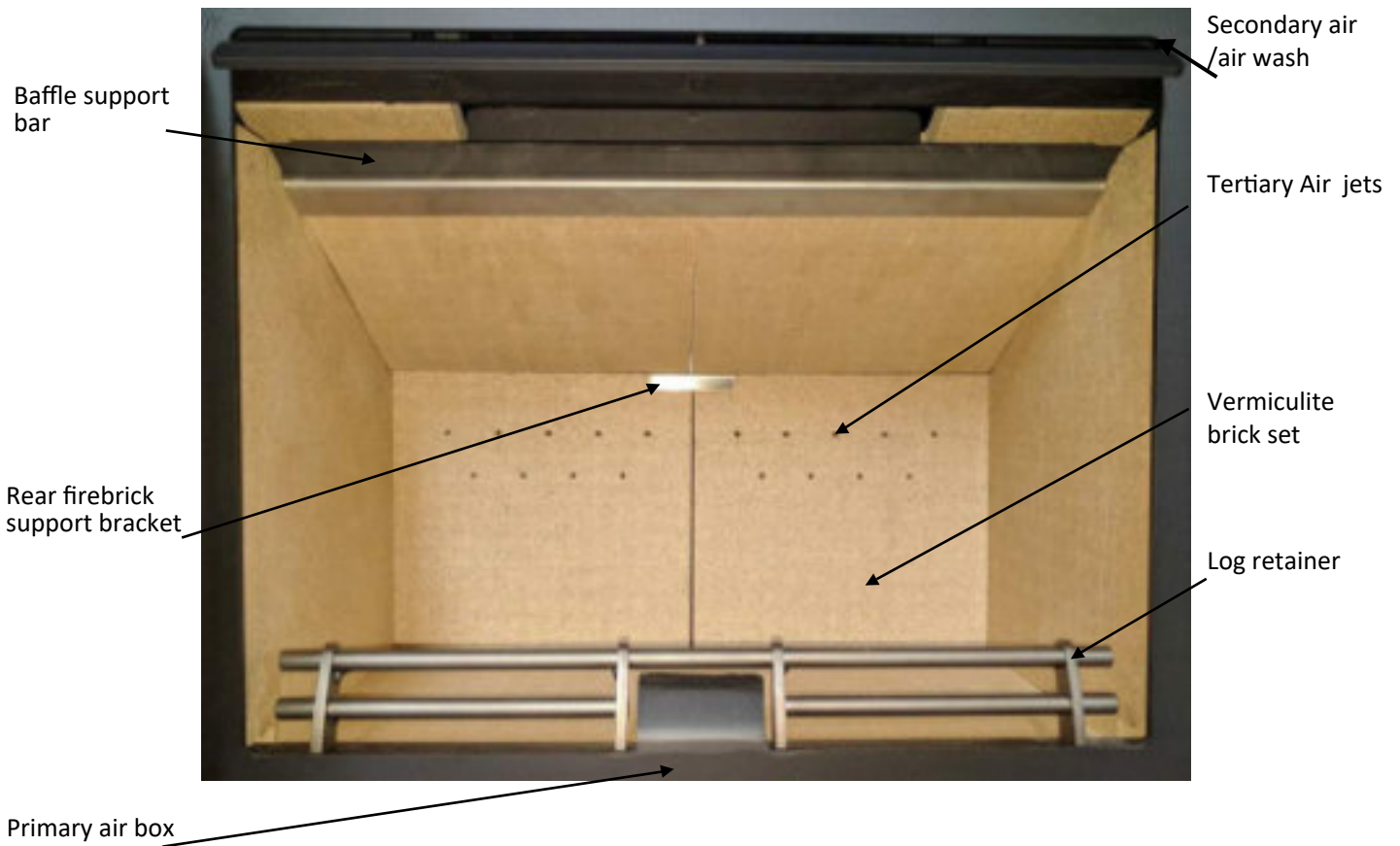
CHRISTON 550 / 750 COMBUSTION CHAMBER SPARE PART CODES



CHRISTON 550 / 750 BRICK SET REFERENCE KEY AND PRODUCT CODES

Figure #	Part Description	Christon 550 - Part Code	Christon 750 - Part Code
1	Base Brick Pair	M10550-02-22-99-00	M10750-02-22-99-00
2	Rear Brick Pair	M10550-02-23-99-00	M10750-02-23-99-00
3	Side Brick Pair	M10550-02-24-99-00	M10750-02-24-99-00
4	Baffle Brick Pair	M10550-02-26-99-00	M10750-02-26-99-00
5	Upper Baffle Brick Pair	M10550-02-58-99-00	M10750-02-58-99-00

CHRISTON 550 / 750 COMBUSTION CHAMBER



HOW TO REMOVE A VERMICULITE BRICK SET



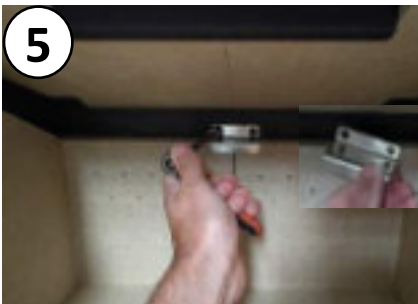
Remove the log retainer by lifting out.

Remove the baffle support bar.



Lift the right hand baffle brick and position it to the right allowing more room to remove the left hand baffle.

Tilt the left hand baffle brick forwards and towards the centre to remove. Repeat this for the right hand baffle.



Unscrew and remove the rear brick support bracket.

Remove the upper baffle support bracket.



Tilt an upper baffle brick forward and to the centre in order to remove.

Your flue system can now be accessed through the stove, but for added protection when sweeping, it is advised that all the bricks be removed.



As the baffle bricks are no longer present, the side bricks can be removed from the combustion chamber.

The absence of the side bricks means that the base bricks can be lifted out.

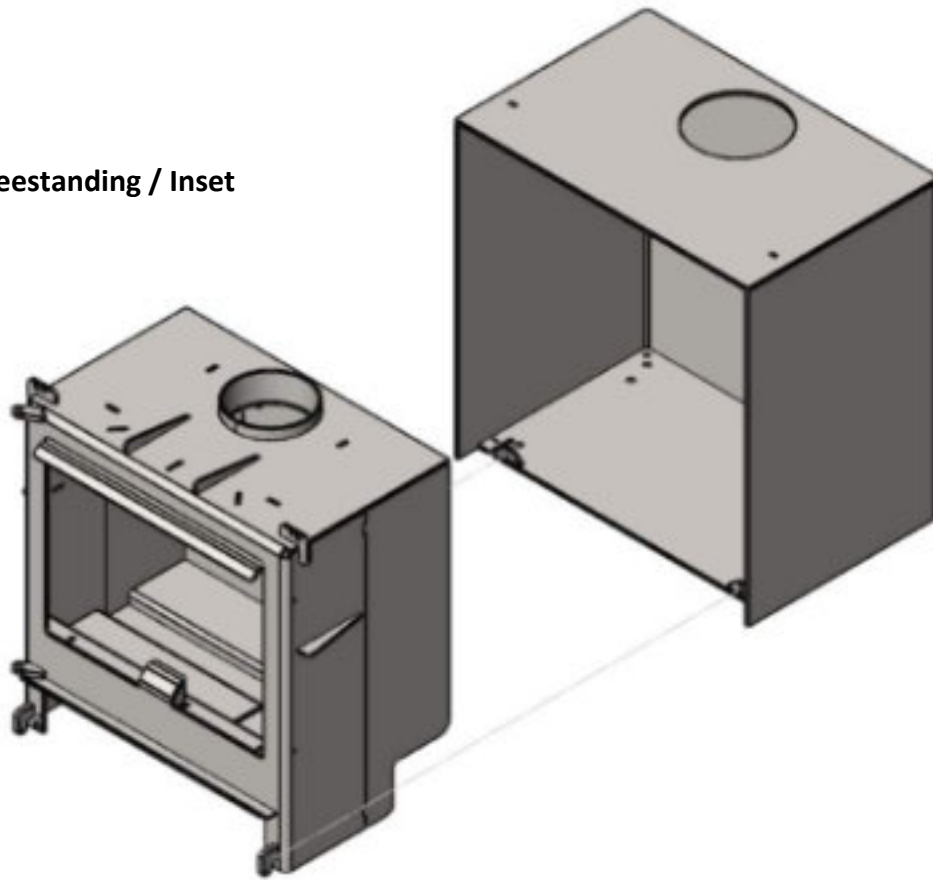
The rear bricks are now unsupported and can be freely removed.



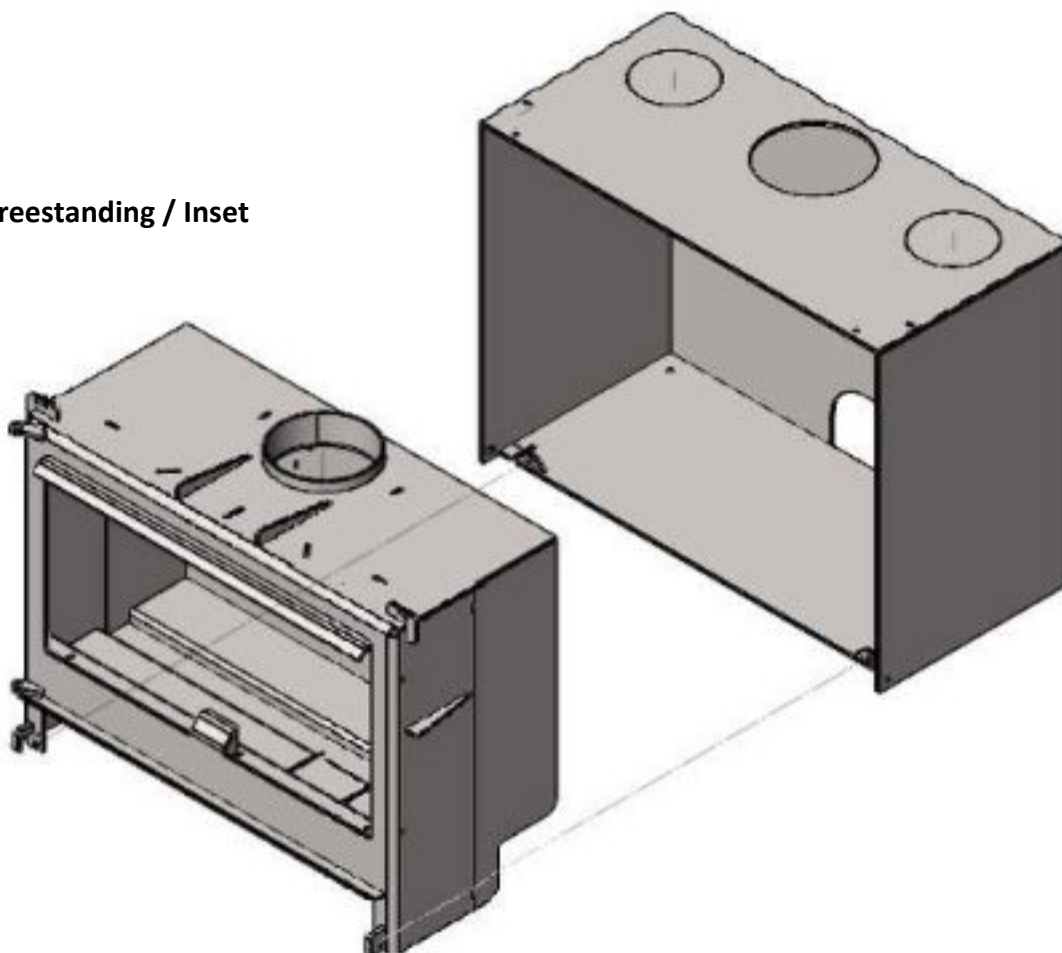
To reinstall the brick set follow these instructions in reverse

CHRISTON 550 /750 COMBUSTION CHAMBER CAN BE REMOVED FROM OUTER FRAME

Christon 550 Freestanding / Inset

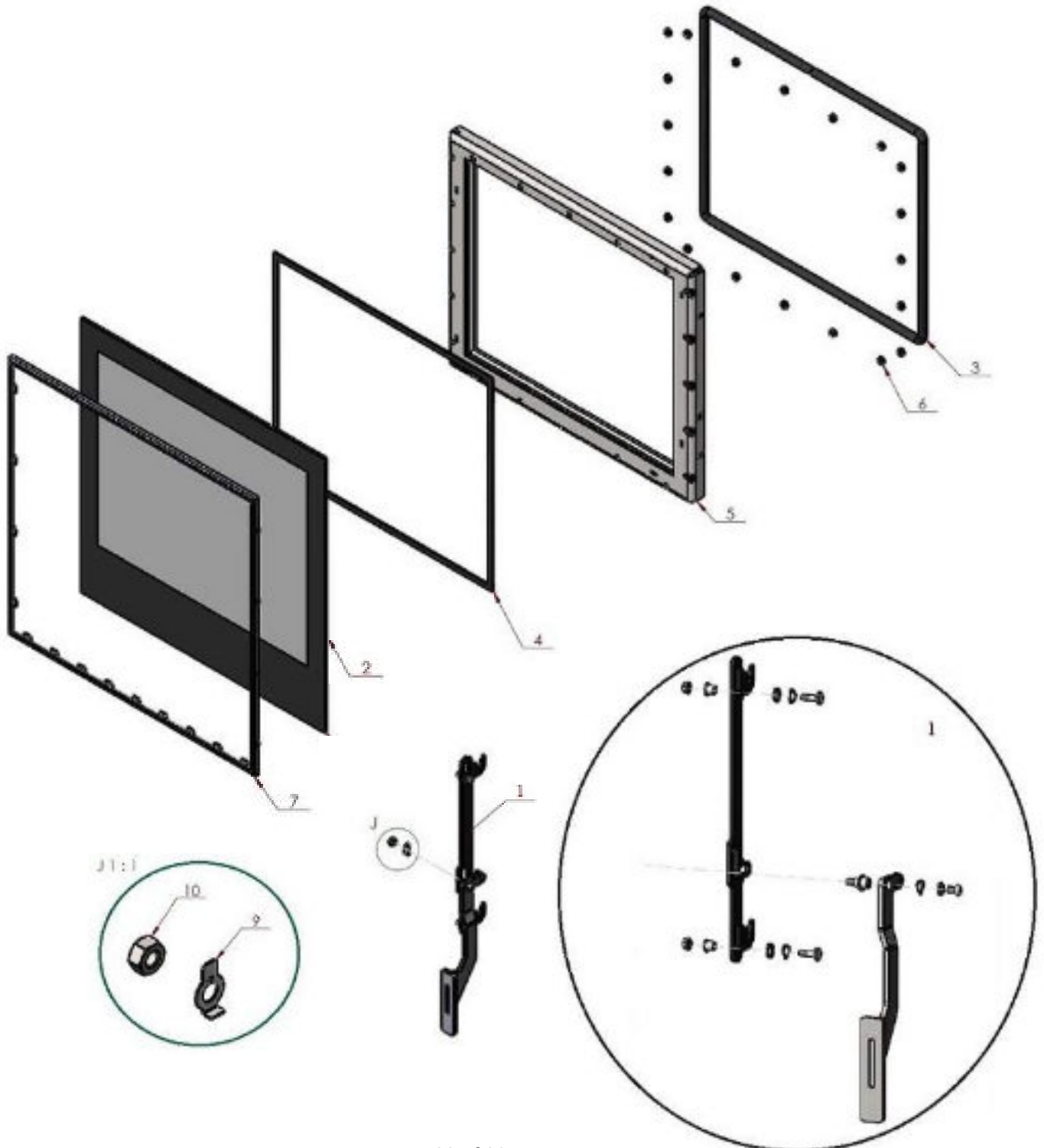


Christon 750 Freestanding / Inset



CHRISTON 550 /750 DOOR & HANDLE CONSTRUCTION

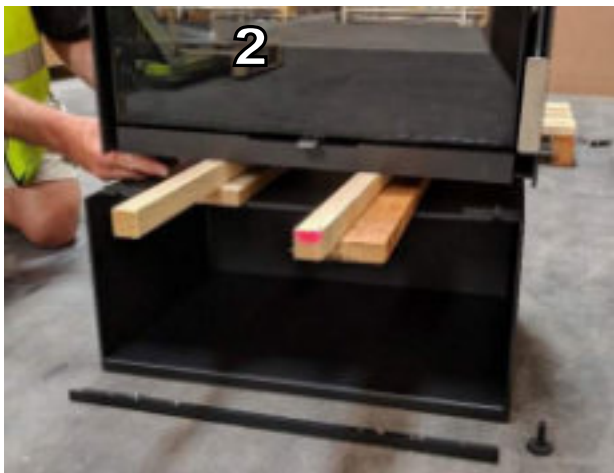
Number	Description	Christon 550 Product Code	Christon 750 Product Code
	Complete Door	M10550-06-00-00-00	M10750-06-00-00-00
1	Door Handle	M10750-06-05-99-00	M10750-06-05-99-00
2	Glass	M10550-01-27-99-00	M10750-01-27-99-00
3	Door Rope Seal	M10550-06-02-00-00	M10750-06-02-00-00
4	Glass Rope Seal	M10550-01-02-01-00	M10750-01-02-01-00
5	Door Frame	M10550-06-01-00-00	M10750-06-01-00-00
6	Retention Nut		
7	Glass Trim	M10550-01-03-00-00	M10750-01-03-00-00



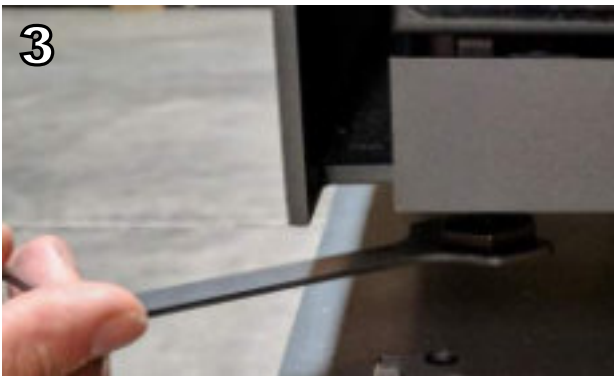
LOGSTORE INSTALLATION



1. When attaching a logstore to the Christon 550 or 750, the first thing to do is to prepare the base by ensuring all the bolts, as well as the front bar, have been separated from the stand.



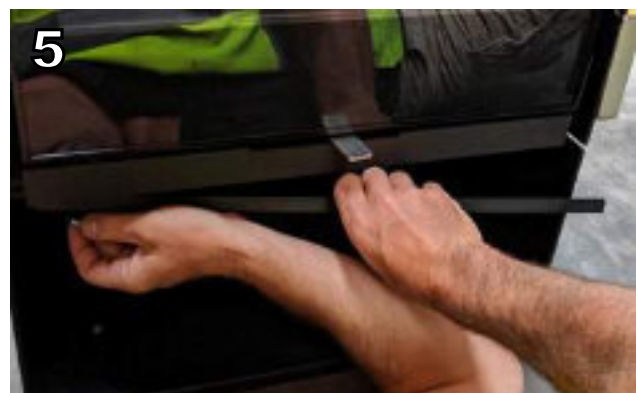
2. Then place wooden batons on top of the base; this enable the Christon stove to be placed onto the logstore without trapping your fingers. Please observe safe lifting practices and do not attempt to lift this stove alone. These batons should be 50mm (2 inches) thick to provide enough space to access and remove the levelling feet. The tool provided for adjusting the height of the feet can also be used to remove the feet.



3. Once the feet have been removed, roughly position the stove inline with the base. Then carefully lift one side of the stove and remove the wooden batons, allowing the stove to come to rest upon the logstore.

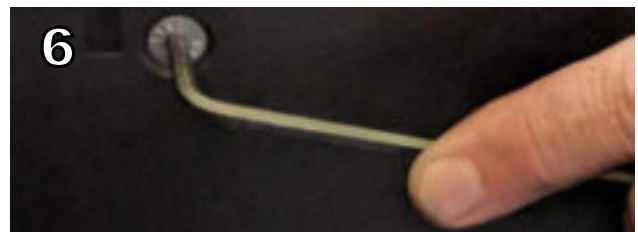


4. It is unlikely that the stove body and logstore base are perfectly aligned. The other end of the foot adjustment tool can then be used to lever the two components on a horizontal plane with the help of the purpose-built alignment grooves either side of the closed combustion inlet.



5. Now the two are inline, the logstore can be secured using the bolts provided. The front two bolts need to be attached with the front cover strip (as shown in the photo). These bolts should be fastened using an Alan key to ensure that the stove is well secured to the base.

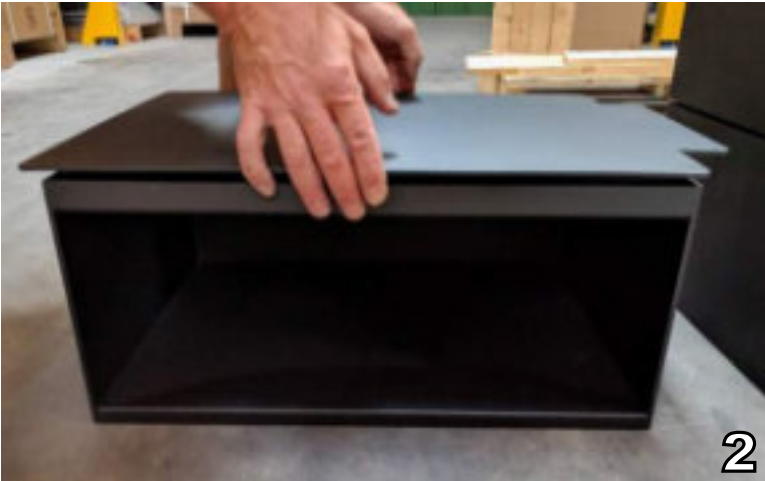
You have now successfully attached the logstore.



SIDE TABLE INSTALLATION



Firstly, to assemble you side table:
Place the top plate onto the body of the side table and use M5 nuts and a spanner/socket wrench to secure the top plate in the correct position.



Once you have your side table, simply slide the top plate protrusion between the stove body and the log base. If this has been positioned correctly the threaded holes of the top plate will be accessible through the logstore base of the Christon.

Then secure the Side Table to the Logstore using M5 countersunk screws. To avoid damaging the thread, tighten the screws with your fingers to start with and then fully secure them with an Alan key/socket wrench as shown in the photo.

It's that simple!





SUMMARY

This report contains the test results of a room heater fired by solid fuels in accordance with NEN EN 13229:2001 and NEN EN 13229-A2:2004.

Brief description of the project

Description	
Date of test	May 23, 2017 May 24, 2017
Manufacturer	Eurostove Limited UNIT H1, MENDIP INDUSTRIAL ESTATE MENDIP ROAD ROOKSBRIDGE, SOMERSET BS26 2UG, UK
Principal	Eurostove Limited
Appliance	Christon 550
Test category	Initial type test

Abstract of the test results

Essential Characteristic	
Test fuel	Beech
Fire safety	Pass
Emission of combustion products (related to 13% O ₂)	CO: 0.09 vol% NO _x : 96 mg/m ₀ ³ C ₁ H ₇ *: 92 mgC/m ₀ ³ Dust: 30 mg/m ₀ ³
Surface temperature	Pass
Measured thermal output	5.0 kW
Energy efficiency	77.8 %
Release of dangerous substances	Pass

* equivalents of C₁H₇

Room heater **Christon 550** is an intermittent burning appliance. The appliance is not suitable for installation on a shared flue gas system.



SUMMARY

This report contains the test results of a room heater fired by solid fuels in accordance with NEN EN 13229:2001 and NEN EN 13229-A2:2004. This report is also valid for the variant which is installed on a pedestal.

Brief description of the project

Description	
Date of test	June 12, 2017 June 16, 2017
Manufacturer	Eurostove Limited UNIT H1, MENDIP INDUSTRIAL ESTATE MENDIP ROAD ROCKSBRIDGE, SOMERSET BS26 2UG, UK
Principal	Eurostove Limited
Appliance	Christon 750
Test category	Initial type test

Abstract of the test results

Essential Characteristic	
Test fuel	Beech
Fire safety	Pass
Emission of combustion products (related to 13% O ₂)	CO: 0.09 vol% NO _x : 94 mg/m ³ C _x H _y *: 51 mgC/m ³ Dust: 32 mg/m ³
Surface temperature	Pass
Measured thermal output	8.7 kW
Energy efficiency	78.4 %
Release of dangerous substances	Pass

* equivalents of C_xH_y.

Room heater **Christon 750** is an intermittent burning appliance. The appliance is not suitable for installation on a shared flue gas system.



Product End-of-Life/Recycling:

To dispose of the stove after the product life has expired, please observe the following information.

- Dispose of the items correctly i.e. separate the parts to be disposed of in material groups.
- Always dispose of items in a way that is as sustainable as possible and that is in line with the current environmental protection, reprocessing/recycling and disposal technology.



Mendip Stoves Ltd.

Unit H1
Mendip Industrial Estate
Mendip Road
Rooksbridge
Somerset
BS26 2UG

Website

www.mendipstoves.co.uk

Email

info@eurostove.co.uk

Telephone

01934 750 500



Part of the Eurostove Group

